

Electro-Pneumatic Regulator/Electronic Vacuum Regulator

ITV Series

- Stepless control of air pressure proportional to an electrical signal
- ITV1000/2000/3000 series are compatible with various input specifications, including serial communications.



Serial communications specifications

Applicable Fieldbus protocols



Built-in communication board, so no converter needed.

- RS-232C specification to serial communications is standardized.

Compact/lightweight (Integrated communication parts)

Weight: **350 g** ^{Note 1)} (ITV1000)

Power consumption: **4 w** ^{Note 1)} or less

Note 1) Value for communications type. (PROFIBUS DP)



Note 2) ITV1000. Dimensions in parentheses () are for the CC-Link or PROFIBUS DP.

▼ Electro-Pneumatic Regulators

ITV0000 Series

Maximum flow rate
6 L/min (ANR)
Set pressure: 0.6 MPa
Supply pressure: 1.0 MPa



ITV1000 Series

Maximum flow rate
200 L/min (ANR)
Set pressure: 0.6 MPa
Supply pressure: 1.0 MPa
Grease-free specification (wetted parts)



ITV2000 Series

Maximum flow rate
1500 L/min (ANR)
Set pressure: 0.6 MPa
Supply pressure: 1.0 MPa



ITV3000 Series

Maximum flow rate
4000 L/min (ANR)
Set pressure: 0.6 MPa
Supply pressure: 1.0 MPa



▼ Electronic Vacuum Regulators

ITV009□ Series



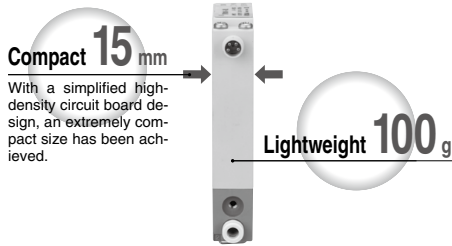
ITV209□ Series



ARJ
AR425 to 935
ARX
AMR
ARM
ARP
IR□-A
IR
IRV
VEX
SRH
SRP
SRF
ITV
IC
ITVH
ITVX
PVQ
VY1
VBA
VBAT
AP100

Compact Electro-Pneumatic Regulator *ITV0000 Series*

Compact Vacuum Regulator *ITV009 Series*



Compact 15 mm

With a simplified high-density circuit board design, an extremely compact size has been achieved.

Lightweight 100 g

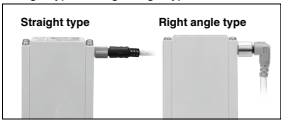


Realizes space-saving and reduction of weight for manifold use.

Stations can easily be increased or decreased due to DIN rail mount design.

■ Cable connectors

Straight type and right angle type are available.

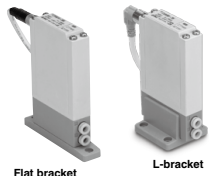


■ Built-in One-touch fittings

■ With error indication LED

■ Brackets

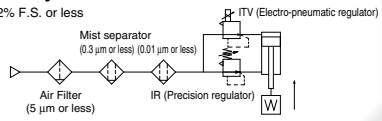
Flat and L-brackets are available.



Model	Pressure range	Power supply voltage	Input signal	Output signal	Option
ITV001□	0.1 MPa	24 VDC 12 VDC	4 to 20 mA DC 0 to 20 mA DC 0 to 5 VDC 0 to 10 VDC	Analog output 1 to 5 VDC	<ul style="list-style-type: none"> Cable connectors Straight type Right angle type Brackets Flat bracket L-bracket
ITV003□	0.5 MPa				
ITV005□	0.9 MPa				
ITV009□	-100 kPa				

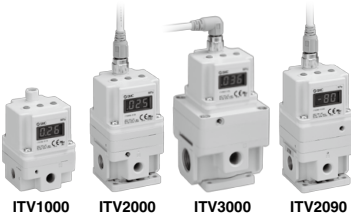
- Equivalent to IP65
- Linearity: $\pm 1\%$ F.S. or less
- Hysteresis: 0.5% F.S. or less
- Repeatability: $\pm 0.5\%$ F.S. or less
- High-speed response time: 0.1 sec (Without load)
(Note) This is not a guaranteed value as it depends on the operating environment.
- High stability

Sensitivity 0.2% F.S. or less

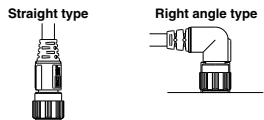


Electro-Pneumatic Regulator *ITV1000/2000/3000 Series*

Electronic Vacuum Regulator *ITV209 Series*



- Sensitivity: 0.2% F.S. or less
- Linearity: $\pm 1\%$ F.S. or less
- Hysteresis: 0.5% F.S. or less
- IP65
- Cable connections in 2 directions



● Grease-free specification (ITV1000 series)

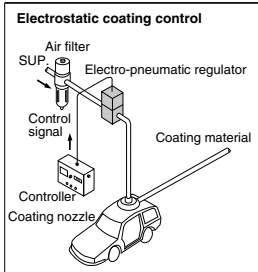
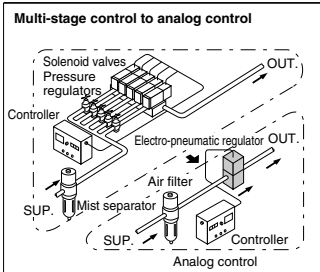
Serial communications specifications to *ITV1000/2000/3000* series are standardized.

- Reduced wiring

Applicable Fieldbus protocols

RS-232C specification to serial communications is standardized.

● Application examples









Electro-Pneumatic Regulator

Electronic Vacuum Regulator

ITV Series

● Stepless control of air pressure proportional to an electrical signal.

	Series	Model	Set pressure range	Input signal	Port size	Page	ARJ						
Electro-Pneumatic Regulator	ITV0000 Series		ITV001□	0.001 to 0.1 MPa	Current type: 4 to 20 mA DC (Sink type) Current type: 0 to 20 mA DC (Sink type) Voltage type: 0 to 5 VDC Voltage type: 0 to 10 VDC	Built-in One-touch fittings Metric size: ø4 Inch size: ø5/32	896	AR425 to 935					
			ITV003□	0.001 to 0.5 MPa				ARX					
			ITV005□	0.001 to 0.9 MPa				AMR					
	ITV1000 Series		ITV101□	0.005 to 0.1 MPa	Current type: 4 to 20 mA DC (Sink type) Current type: 0 to 20 mA DC (Sink type) Voltage type: 0 to 5 VDC Voltage type: 0 to 10 VDC Preset input (4 points/16 points) 10 bit digital input CC-Link compatible	1/8, 1/4	904	ARM					
			ITV103□	0.005 to 0.5 MPa				ARP					
			ITV105□	0.005 to 0.9 MPa				IR□-A					
	ITV2000 Series		ITV201□	0.005 to 0.1 MPa	Current type: 4 to 20 mA DC (Sink type) Current type: 0 to 20 mA DC (Sink type) Voltage type: 0 to 5 VDC Voltage type: 0 to 10 VDC Preset input (4 points/16 points) 10 bit digital input CC-Link compatible	1/4, 3/8	904	IR					
			ITV203□	0.005 to 0.5 MPa				IRV					
			ITV205□	0.005 to 0.9 MPa				VEX					
ITV3000 Series		ITV301□	0.005 to 0.1 MPa	DeviceNet™ compatible PROFIBUS DP compatible RS-232C communication	1/4, 3/8, 1/2	904	SRH						
		ITV303□	0.005 to 0.5 MPa				SRP						
		ITV305□	0.005 to 0.9 MPa				SRF						
Electronic Vacuum Regulator	ITV009□ Series		ITV009□	-1 to -100 kPa	Current type: 4 to 20 mA DC (Sink type) Current type: 0 to 20 mA DC (Sink type) Voltage type: 0 to 5 VDC Voltage type: 0 to 10 VDC	Built-in One-touch fittings Metric size: ø4 Inch size: ø5/32	928	ITV					
			ITV209□ Series					ITV209□	-1.3 to -80 kPa	Current type: 4 to 20 mA DC (Sink type) Current type: 0 to 20 mA DC (Sink type) Voltage type: 0 to 5 VDC Voltage type: 0 to 10 VDC Preset input (4 points/16 points) 10 bit digital input CC-Link compatible DeviceNet™ compatible PROFIBUS DP compatible RS-232C communication	1/4	935	IC
													ITV

Compact Electro-Pneumatic Regulator

ITV0000 Series



How to Order

For single unit and single unit for manifold

ITV00 1 0 - 0 [] [] [] N

Pressure range

1	0.1 MPa
3	0.5 MPa
5	0.9 MPa

Power supply voltage

0	24 VDC ±10%
1	12 to 15 VDC

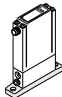
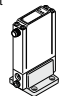
Input signal

0	Current type 4 to 20 mA DC (Sink type)
1	Current type 0 to 20 mA DC (Sink type)
2	Voltage type 0 to 5 VDC
3	Voltage type 0 to 10 VDC

Cable connector (Option)

N	Without cable connector
S	Straight type 3 m
L	Right angle type 2 m

Bracket/Option for single unit only

Nil	Without bracket
B	Flat Bracket 
C	L-bracket 

Built-in One-touch fittings type

For single unit

Symbol	SUP ¹	OUT ²	EXH ³
Nil	Metric size (Light gray)	ø4	
U	Inch size (Orange)	ø5/32"	

For manifold

Symbol	SUP ¹	OUT ²	EXH ³	
Nil	Metric size (Light gray)	ø6	ø4	ø6
U	Inch size (Orange)	ø1/4"	ø5/32"	ø1/4"

Base type

Nil	For single unit
M	For manifolds

Manifold

IITV00 - 02 [] - n

Stations

02	2 stations
03	3 stations
?	?
10	10 stations

Option
If a DIN rail longer than the specified stations is required, specify the applicable stations in two digits.
(Maximum 10 stations)
Example) IITV00-05-07

One-touch fitting size for supply/exhaust parts (End plate)

Nil	ø6 (Light gray)
U	ø1/4" (Orange)

Note) A DIN rail with the length specified by the number of stations is attached to the manifold. For dimensions of the DIN rail, refer to the external dimensions.

How to Order Manifold Assembly (Example)

Indicate the part numbers of electro-pneumatic regulators to be mounted below the manifold part number.

Example)

Due to the common supply/exhaust feature, note that different pressure range combinations are not available.

ITV00-03.....1 set (Manifold part no.)

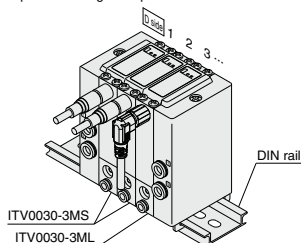
*ITV0030-3MS.....2 sets (Electro-pneumatic regulator part no. (1, 2 stations))

*ITV0030-3ML.....1 set (Electro-pneumatic regulator part no. (3 stations))

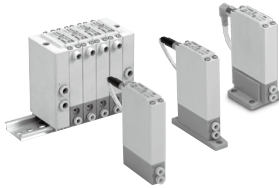
Indicate part numbers in order starting from the first station on the D side.

Note) Combination with having different pressure ranges is not available due to common supply/exhaust features.

The asterisk (*) specifies mounting. Add an asterisk (*) at the beginning of electro-pneumatic regulator part numbers to be mounted.



Specifications



Model		ITV001□	ITV003□	ITV005□
Minimum supply pressure		Set pressure +0.1 MPa		
Maximum supply pressure		0.2 MPa	1.0 MPa	
Set pressure range		0.001 to 0.1 MPa	0.001 to 0.5 MPa	0.001 to 0.9 MPa
Power supply	Voltage	24 VDC ±10%, 12 to 15 VDC		
	Current consumption	Power supply voltage 24 VDC type: 0.12 A or less Power supply voltage 12 to 15 VDC type: 0.18 A or less		
Input signal	Voltage type	0 to 5 VDC, 0 to 10 VDC		
	Current type	4 to 20 mA DC, 0 to 20 mA DC (Sink type)		
Input impedance	Voltage type	Approx. 10 kΩ		
	Current type	Approx. 250 Ω		
Output signal ^{Note 4)}	Analog output	1 to 5 VDC (Output impedance: Approx. 1 kΩ) Output accuracy: ±6% F.S. or less		
Linearity		±1% F.S. or less		
Hysteresis		0.5% F.S. or less		
Repeatability		±0.5% F.S. or less		
Sensitivity		0.2% F.S. or less		
Temperature characteristics		±0.12% F.S./°C or less		
Operating temperature range		0 to 50°C (No condensation)		
Enclosure		Equivalent to IP65 *		
Connection type		Built-in One-touch fittings		
Connection size	For single unit	Metric size	①, ②, ③: ø4	
		Inch size	①, ②, ③: ø5/32"	
	Manifold	Metric size	①, ③: ø6, ②: ø4	
		Inch size	①, ③: ø1/4", ②: ø5/32"	
Weight ^{Note 1)}	100 g or less (without option)			

Note 1) Indicates the weight of a single unit.

For IITV00-n

Total weight (g) Stations (n) x 100 + 130 (Weight of end block A, B assembly) + Weight (g) of DIN rail

Note 2) When there is a downstream flow consumption, pressure may become unstable depending on piping conditions.

Note 3) When the input signal is at 0%, the exhaust solenoid valve is controlled to reduce the outlet pressure to zero. For this reason, a noise may be generated. This noise is normal and does not indicate a fault.

Note 4) When measuring ITV analog output from 1 to 5 VDC, if the load impedance is less than 100 kΩ, the analog output monitor accuracy of ±6% F.S. or less may not be available. The product with the accuracy of within ±6% is supplied upon your request.

Output pressure remains unaffected.

* When using under the conditions equivalent to IP65, connect the fitting or tube to the breathing hole prior to use. (For details, refer to "Specific Product Precautions 1" on page 94.1.)

Accessories (Option)

Bracket

Flat bracket assembly (includes 2 mounting screws)
P39800022



L-bracket assembly (includes 2 mounting screws)
P39800023



Tightening torque when assembling is 0.3 N-m.

Cable connector

Straight type
M8-4DSX3MG4



Right angle type
P398000-501-2

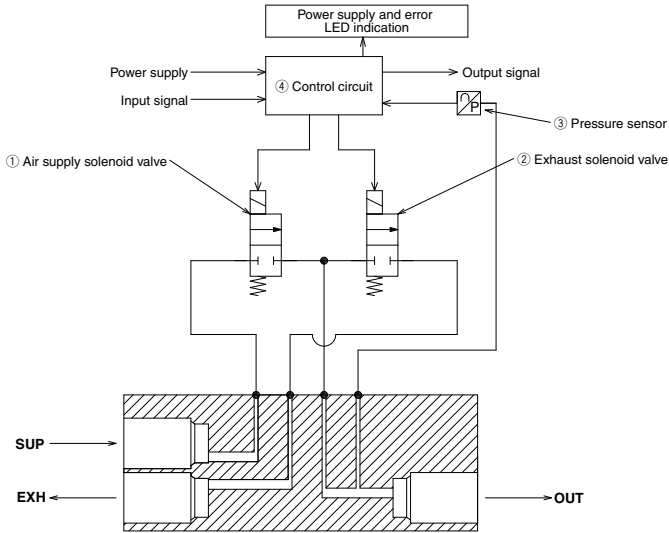


ITV0000 Series

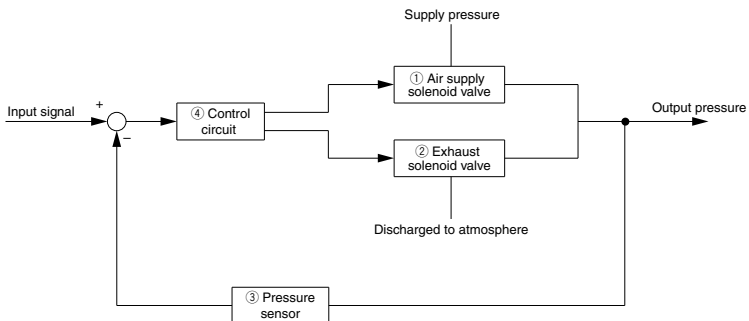
Working Principle

When the input signal rises, the air supply solenoid valve ① turns ON. Due to this, part of the supply pressure passes through the air supply solenoid valve ① and changes to output pressure. This output pressure feeds back to the control circuit ④ via the pressure sensor ③. Here, pressure corrections continue until output pressure becomes proportional to the input signal, enabling output pressure that is proportional to the input signal.

Working Principle Diagram

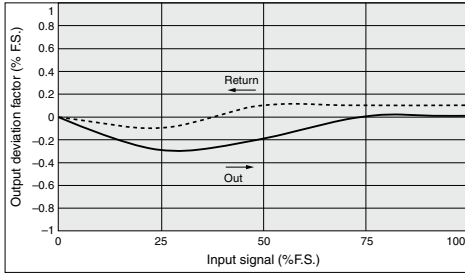


Block Diagram

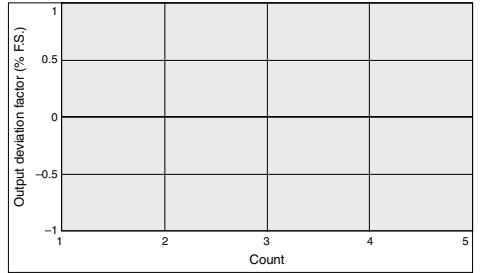


ITV001 Series

Linearity, Hysteresis

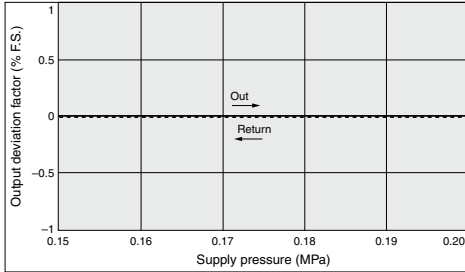


Repeatability



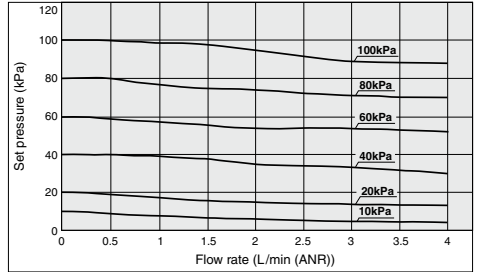
Pressure Characteristics

Set pressure: 0.05 MPa



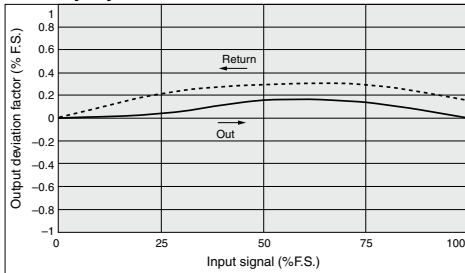
Flow Rate Characteristics

Supply pressure: 0.2 MPa

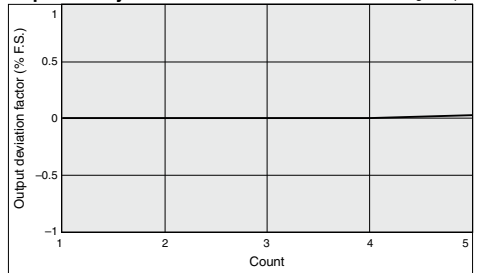


ITV003 Series

Linearity, Hysteresis

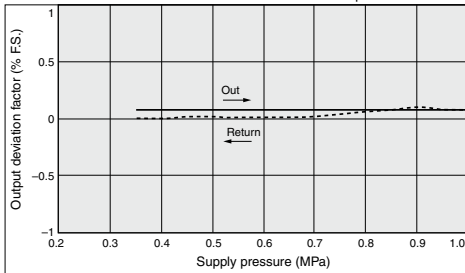


Repeatability



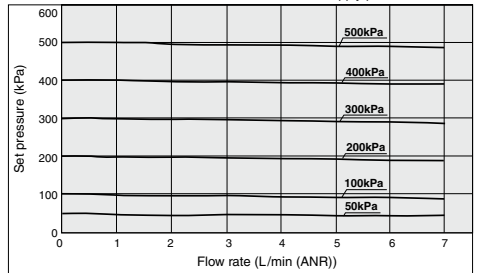
Pressure Characteristics

Set pressure: 0.25 MPa



Flow Rate Characteristics

Supply pressure: 0.6 MPa



ARJ

AR425
to 935

ARX

AMR

ARM

ARP

IR□-A

IR

IRV

VEX

SRH

SRP

SRF

ITV

IC

ITVH

ITVX

PVQ

VY1

VBA

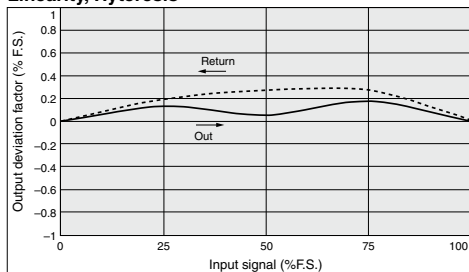
VBAT

AP100

ITV0000 Series

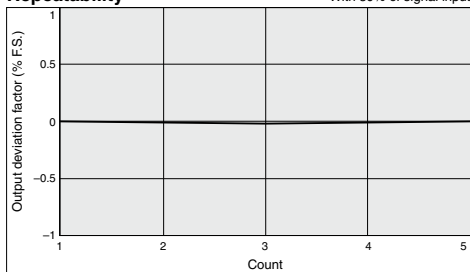
ITV005 Series

Linearity, Hysteresis



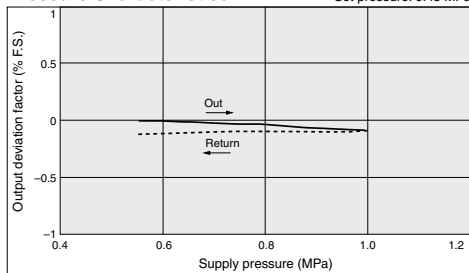
Repeatability

With 50% of signal input



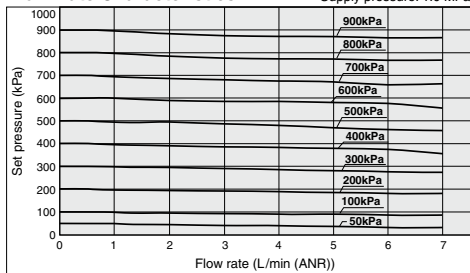
Pressure Characteristics

Set pressure: 0.45 MPa



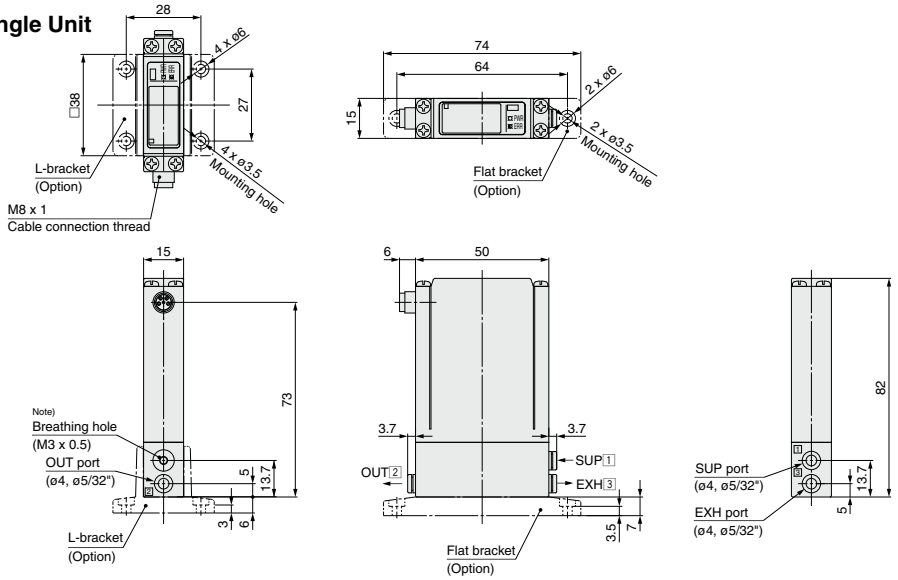
Flow Rate Characteristics

Supply pressure: 1.0 MPa



Dimensions

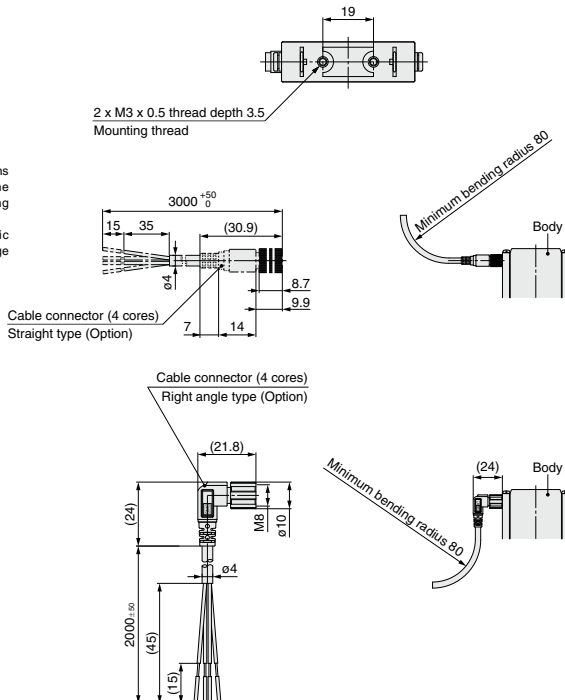
For Single Unit



Port Location

No.	1	2	3
ITV003	SUP	OUT	EXH
5			

Note) When using under the conditions equivalent to IP65, connect the fittings or tube to the breathing hole prior to use.
(For details, refer to "Specific Product Precautions 1" on page 941.)



ARJ

AR425
to 935

ARX

AMR

ARM

ARP

IR□-A

IR

IRV

VEV

SRH

SRP

SRF

ITV

IC

ITVH

ITVX

PVQ

VY1

VBA

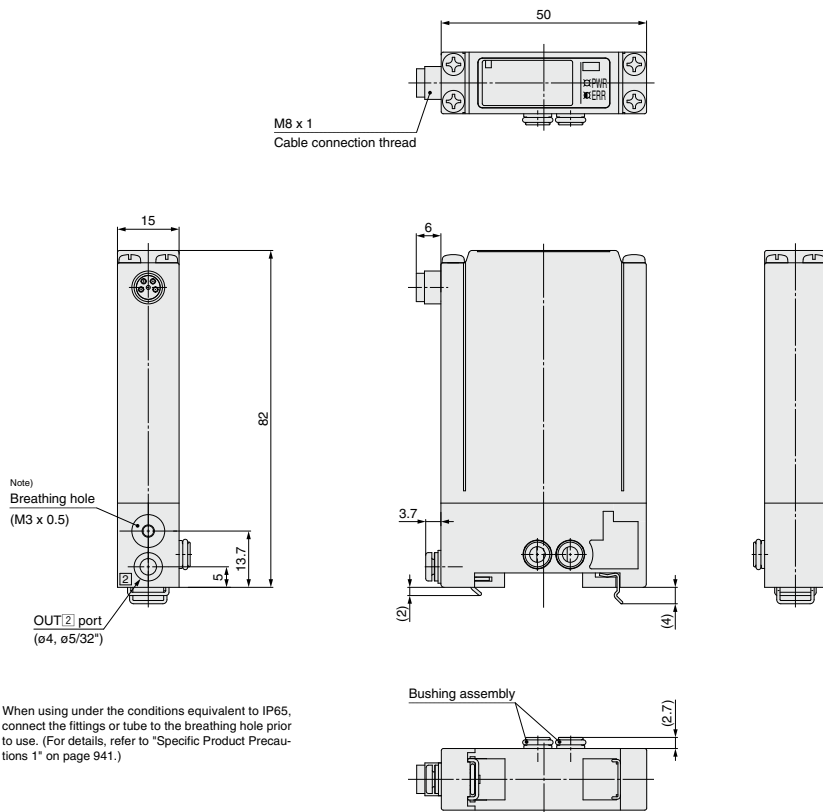
VBAT

AP100

ITV0000 Series

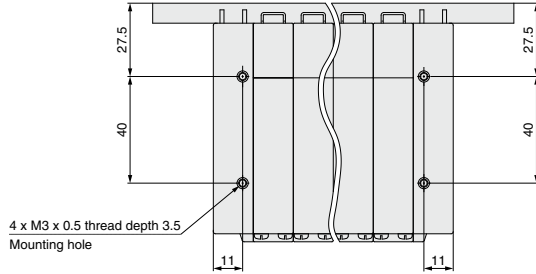
Dimensions

Single unit for manifold



Dimensions

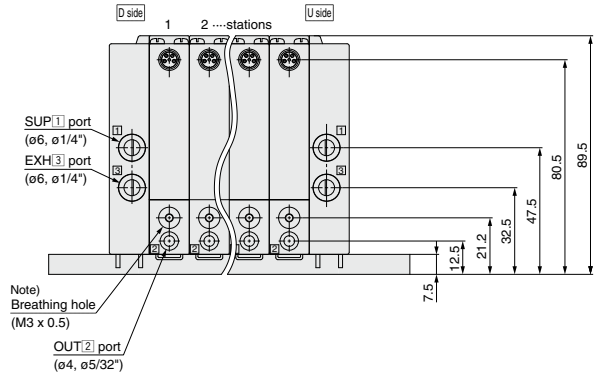
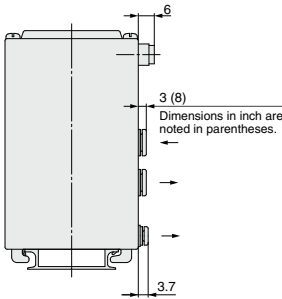
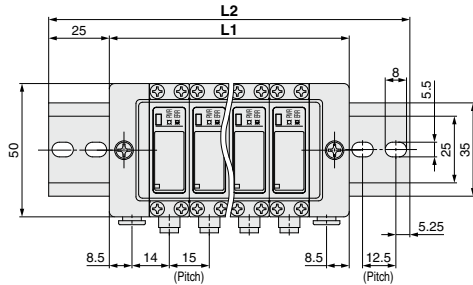
Manifold



Port Location

No.	1	2	3
ITV003	SUP	OUT	EXH
5			

Note) Stations are counted starting from the D side.



Note) For dimensions of the cable connector, refer to single unit on page 901.

Note) When using under the conditions equivalent to IP65, connect the fittings or tubing to the breathing hole prior to use.
(For details, refer to "Specific Product Precautions 1" on page 941.)

Manifold stations n	(mm)									
	2	3	4	5	6	7	8	9	10	
L1	60	75	90	105	120	135	150	165	180	
L2	110.5	123	148	160.5	173	185.5	198	223	235.5	
Weight of DIN rail (g)	20	22	27	29	31	34	36	41	43	

ARJ

AR425
to 935

ARX

AMR

ARM

ARP

IR□-A

IR

IRV

VEV

SRH

SRP

SRF

ITV

IC

ITVH

ITVX

PVQ

VY1

VBA
VBAT

AP100

Electro-Pneumatic Regulator

ITV1000/2000/3000 Series



How to Order

ITV 3 0 1 0 - 0 1 [] 2 [] S [] - []

Model

1	1000 type
2	2000 type
3	3000 type

Pressure range

1	0.1 MPa
3	0.5 MPa
5	0.9 MPa

Power supply voltage

0	24 VDC
1	12 to 15 VDC

Note) Communication models (CC, DE, PR, RC), 16 points preset input and 10 bit digital input are available only for 24 VDC.

• Made to Order Specifications
Refer to pages 906, 922, and 923 for details.

Pressure display unit

Nil	MPa
2 ⁽¹⁰⁰⁾	kgf/cm ²
3	bar
4 ⁽¹⁰⁰⁾	psi
5	kPa

Note) Under Japan's new Measurement Act, this is only for overseas sales (SI units are to be used inside Japan). For the communication models, CC, DE, PR and RC, only "Nil" is available as it does not have a pressure display.

Input signal/ Communication model

0	Current type 4 to 20 mA DC (Sink type)
1	Current type 0 to 20 mA DC (Sink type)
2	Voltage type 0 to 5 VDC
3	Voltage type 0 to 10 VDC
40	4 points preset input
52	16 points preset input (Switch output/NPN output)
53	16 points preset input (Switch output/PNP output)
60	10 bit digital input
CC	CC-Link
DE	DeviceNet™
PR	PROFIBUS DP
RC	RS-232C communication

Monitor output

1	Analog output 1 to 5 VDC
2	Switch output/NPN output
3	Switch output/PNP output
4	Analog output 4 to 20 mA DC (Sink type)
Nil	None

Thread type

Nil	Rc
N	NPT
T	NPTF
F	G

Cable connector type

S	Straight type 3 m
L	Right angle type 3 m
N	Without cable connector

Note) Even when a cable connector is selected, communication cable is not included in the communication models, CC, DE and PR. Please order it separately. Refer to the below.
For 10 bit digital input, right angle type cannot be selected.

Bracket *

Nil	Without bracket
B	Flat bracket
C	L-bracket

* Bracket is included.

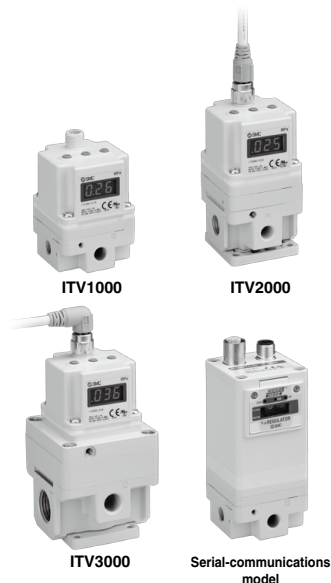
Port size

1	1/8 (1000 type)
2	1/4 (1000, 2000, 3000 type)
3	3/8 (2000, 3000 type)
4	1/2 (3000 type)

For communication cables, use the parts listed below (refer to M8/M12 connector in Best Pneumatics No.1-1 for details) or order the product certified for the respective protocol (with M12 connector) separately.

Application	Communication cable part number	Note
CC-Link compatibility	PCA-1567720 (Socket type)	Dedicated Bus adapter supplied with the product.
	PCA-1567717 (Plug type)	
DeviceNet™ compatibility	PCA-1557633 (Socket type)	T-branch connector not supplied.
	PCA-1557646 (Plug type)	
PROFIBUS DP compatibility	PCA-1557688 (Socket type)	T-branch connector not supplied.
	PCA-1557691 (Plug type)	

Standard Specifications



Symbol

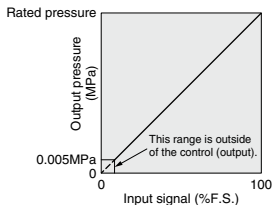
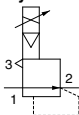


Figure 1. Input/output characteristics chart

Model	ITV101□ <small>(Note 8)</small>	ITV103□ <small>(Note 8)</small>	ITV105□ <small>(Note 8)</small>
	ITV201□	ITV203□	ITV205□
	ITV301□	ITV303□	ITV305□
Minimum supply pressure	Set pressure +0.1 MPa		
Maximum supply pressure	0.2 MPa		1.0 MPa
Set pressure range <small>(Note 1)</small>	0.005 to 0.1 MPa	0.005 to 0.5 MPa	0.005 to 0.9 MPa
Power supply	Voltage	24 VDC ± 10%, 12 to 15 VDC	
	Current consumption	Power supply voltage 24 VDC type: 0.12 A or less <small>(Note 9)</small> Power supply voltage 12 to 15 VDC type: 0.18 A or less	
Input signal <small>(Note 9)</small>	Current type <small>(Note 2)</small>	4 to 20 mA DC, 0 to 20 mA DC (Sink type)	
	Voltage type	0 to 5 VDC, 0 to 10 VDC	
	Preset input	4 points (Negative common), 16 points (No common polarity)	
Input impedance	Digital input	10 bit (Parallel)	
	Current type	250 Ω or less <small>(Note 6)</small>	
	Voltage type	Approx. 6.5 kΩ	
	Pre-set input	Power supply voltage 24 VDC type: Approx. 4.7 kΩ Power supply voltage 12 VDC type: Approx. 2.0 kΩ	
Output signal (monitor output) <small>(Note 3)</small>	Analog output	1 to 5 VDC (Output impedance: Approx. 1 kΩ) 4 to 20 mA DC (Sink type) (Output impedance: 250 Ω or less) Output accuracy ± 6% F.S. or less	
	Switch output	NPN open collector output: Max. 30 V, 80 mA PNP open collector output: Max. 80 mA	
	Linearity	± 1% F.S. or less	
Hysteresis	± 0.5% F.S. or less		
Repeatability	± 0.5% F.S. or less		
Sensitivity	± 0.2% F.S. or less		
Temperature characteristics	± 0.12% F.S./°C or less		
Output pressure display <small>(Note 4)</small>	Accuracy	± 2% F.S. ± 1 digit or less	
	Minimum unit	MPa: 0.001, kgf/cm ² : 0.01, bar: 0.01, psi: 0.1 <small>(Note 5)</small> , kPa: 1	
Ambient and fluid temperature	0 to 50°C (No condensation)		
Enclosure	IP65		
Weight <small>(Note 10)</small>	ITV10□□	Approx. 250 g (without options)	
	ITV20□□	Approx. 350 g (without options)	
	ITV30□□	Approx. 645 g (without options)	

- Note 1) Please refer to Figure 1 for the relationship between set pressure and input. Because the maximum set pressure differs for each pressure display, refer to page 945.
- Note 2) 2-wire type 4 to 20 mA DC is not available. Power supply voltage (24 VDC or 12 to 15 VDC) is required.
- Note 3) Select either analog output or switch output.
Further, when switch output is selected, select either NPN output or PNP output.
When measuring ITV analog output from 1 to 5 VDC, if the load impedance is less than 100 kΩ, the analog output monitor accuracy of within ±6% (full span) may not be available. The product with the accuracy of within ±6% is supplied upon your request. Output pressure remains unaffected.
- Note 4) Adjustment of numerical values such as the zero/span adjustment or preset input type is set based on the minimum units for output pressure display (e.g. 0.001 to 0.500 MPa). Note that the unit cannot be changed.
- Note 5) The minimum unit for 0.9 MPa (130 psi) types is 1 psi.
- Note 6) Value for the state with no over current circuit included. If an allowance is provided for an over current circuit, the input impedance varies depending on the input current. This is 350 Ω or less for an input current of 20 mA DC.
- Note 7) The above characteristics are confined to the static state. When air is consumed on the output side, the pressure may fluctuate.
- Note 8) The ITV1000 series is a Grease-free specification (Wetted parts).
- Note 9) Refer to the table below for communication specifications.
- Note 10) Add 50 g for digital input type, 70 g for 16 points preset input type respectively.

Communication Specifications (CC, DE, PR, RC)

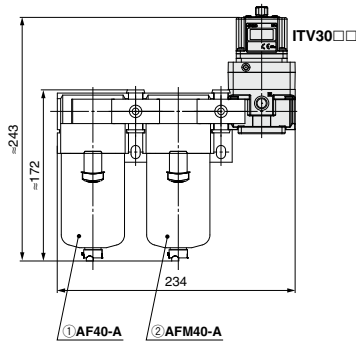
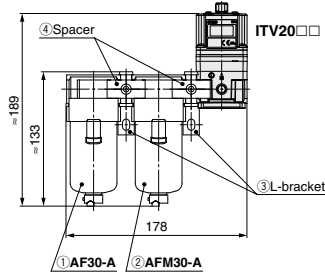
Model	ITV□□□-CC	ITV□□□-DE	ITV□□□-PR	ITV□□□-RC
Protocol	CC-Link	DeviceNet™	PROFIBUS DP	RS-232C
Version <small>(Note 1)</small>	Ver 1.10	Volume1 (Edition3.8), Volume3 (Edition1.5)	DP-V0	—
Communication speed	156 k/625 k 2.5 M/5 M/10 M bps	125 k/250 k/500 k bps	9.6 k/19.2 k/45.45 k 93.75 k/187.5 k/500 k 1.5 M/3 M/6 M/12 M bps	9.6 kbps
Configuration file <small>(Note 2)</small>	—	EDS	GSD	—
I/O occupation area (Input/output data)	4 word/4 word, 32 bit/32 bit (per station, remote device station)	16 bit/16 bit	16 bit/16 bit	—
Communication data resolution	12 bit (4096 resolution)	12 bit (4096 resolution)	12 bit (4096 resolution)	10 bit (1024 resolution)
Fail safe	HOLD ^{Note 3)} /CLEAR (Switch setting)	HOLD/CLEAR (Switch setting)	CLEAR	HOLD
Electric insulation <small>(Note 4)</small>	Insulation	Insulation	Insulation	Non-insulation
Terminating resistor	Built into the product (Switch setting)	Not built into the product	Built into the product (Switch setting)	—
Current consumption	0.16 A or less	0.14 A or less	0.16 A or less	0.12 A or less
Weight	ITV1000	330	320	320
	ITV2000	430	420	420
	ITV3000	730	720	720

- Note 1) Note that version information is subject to change.
- Note 2) Configuration files can be downloaded from the operation manual page on SMC's website: <http://www.smworld.com>
- Note 3) The output HOLD value when a CC-Link communications error occurs can be set based on the bit area data.
- Note 4) The insulation between the electrical signal of the communication system and ITV power supply.

ARJ
AR425 to 935
ARX
AMR
AMR
ARMP
IR□-A
IR
IRV
VEX
SRH
SRP
SRF
ITV
IC
ITVH
ITVX
PVQ
VY1
VBA
VBAT
AP100

ITV1000/2000/3000 Series

Modular Products and Accessory Combinations



Made to Order

(Refer to pages 922 to 926 for details.)

Symbol	Specifications
X102	Reverse type
X224	High pressure type (SUP 1.2 MPa, OUT 1.0 MPa)
X25	Set pressure range 1 to 100 kPa (Except ITV3000 series)
X88	High speed response type (Except ITV3000 series)
X26	For manifold mounting (Except ITV3000 series)
X410	Linearity: $\pm 0.5\%$ F.S. or less
X420	With alarm output

Note 1) Manifolds are compatible with 2 to 8 stations. Consult with SMC for 9 stations or more.

Note 2) Products without symbols are also compatible. Consult with SMC separately.

Note 3) Compliant with CE marking

Model	Bracket tightening torque
ITV1000	0.76 \pm 0.05 N·m
ITV2000/3000	1.5 \pm 0.05 N·m

Applicable products and accessories	Applicable model	
	ITV2000□□	ITV3000□□
① Air filter	AF30-A	AF40-A
② Mist separator	AFM30-A	AFM40-A
③ L-bracket	B310L	B410L
④ Spacer	Y30	Y40
⑤ Spacer with L-bracket (③ + ④)	Y30L	Y40L
⑥ Spacer with T-bracket	—	Y40T

* For ITV1000□□, use a modular adapter (Refer to page 643 for details).

Accessories (Option)/Part No.

[Bracket]

Applicable model	Description	Part No.
ITV1000□□	Flat bracket assembly (including mounting screws)	P398010-600
ITV2000□□, 3000□□		P398020-600
ITV1000□□	L-bracket assembly (including mounting screws)	P398010-601
ITV2000□□, 3000□□		P398020-601

[Cable connector]

Applicable model	Description		Part No.
Current type Voltage type 4 points preset input	Cable connector (4 cores)	Straight type 3 m	P398020-500-3
		Right angle type 3 m	P398020-501-3
16 points preset input	Power cable (4 cores)	Straight type 3 m	P398020-500-3
		Right angle type 3 m	P398020-501-3
	Signal cable (5 cores)	Straight type 3 m	P398020-502-3
		Right angle type 3 m	P398020-503-3
10 bit digital input	Cable connector (13 cores)	Straight type 3 m	INI-398-0-59
CC-Link PROFIBUS DP DeviceNet™	Power cable (4 cores)	Straight type 3 m	P398020-500-3
		Right angle type 3 m	P398020-501-3
RS-232C	Power cable (4 cores)	Straight type 3 m	P398020-500-3
		Right angle type 3 m	P398020-501-3
	Communication cables connector (5 cores)	Straight type 3 m	P398020-502-3
		Right angle type 3 m	P398020-503-3

Note 1) For the 10-bit digital type, there is no right angle type cable connector.

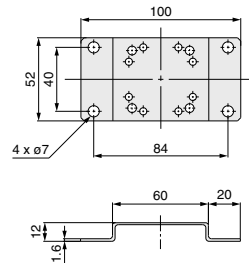
Note 2) Even when "with cable connector" is selected, the communication cable is not included in the communication model (CC, DE, PR). Please order separately.

[Bus adapter]

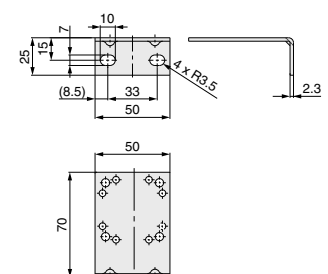
Applicable model	Description	Part No.
CC-Link	Bus adapter (Bus adapter supplied with the product.)	EX9-ACY00-MJ

Dimensions

Flat bracket



L-bracket



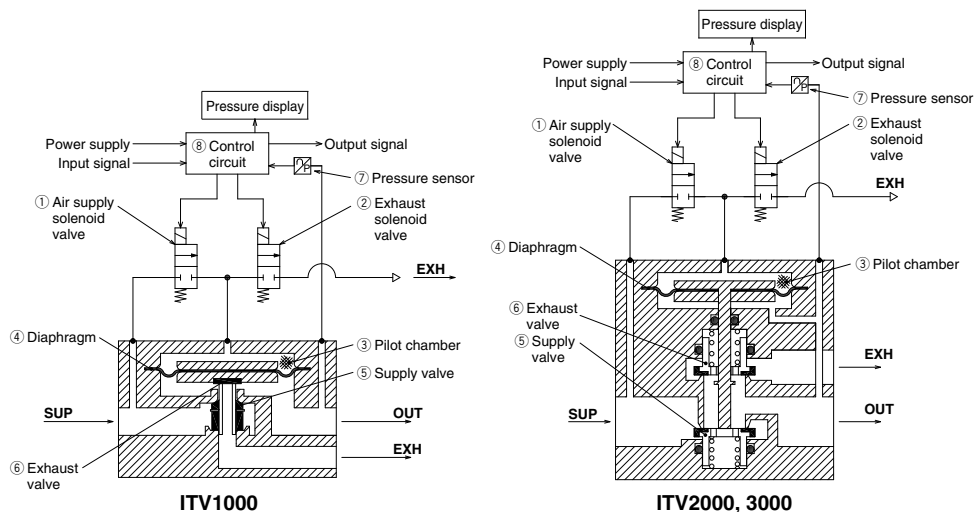
Working Principles

When the input signal rises, the air supply solenoid valve ① turns ON, and the exhaust solenoid valve ② turns OFF. Therefore, supply pressure passes through the air supply solenoid valve ① and is applied to the pilot chamber ③. The pressure in the pilot chamber ③ increases and operates on the upper surface of the diaphragm ④.

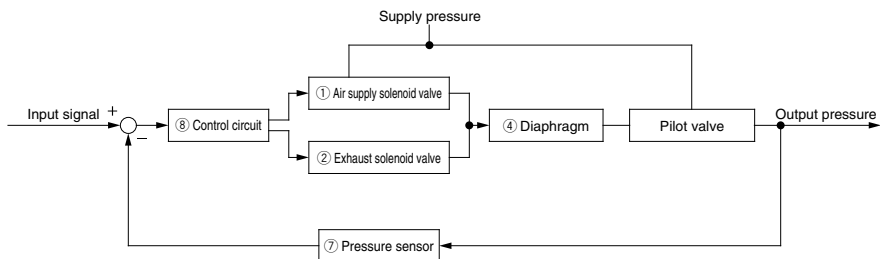
As a result, the air supply valve ⑤ linked to the diaphragm ④ opens, and a portion of the supply pressure becomes output pressure.

This output pressure feeds back to the control circuit ⑧ via the pressure sensor ⑦. Here, a correct operation functions until the output pressure is proportional to the input signal, making it possible to always obtain output pressure proportional to the input signal.

Working Principle Diagram



Block Diagram



ARJ

AR425
to 935

ARX

AMR

ARM

ARP

IR□-A

IR

IRV

VE X

SRH

SRP

SRF

ITV

IC

ITVH

ITVX

PVQ

VY1

VBA

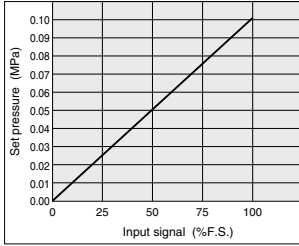
VBAT

AP100

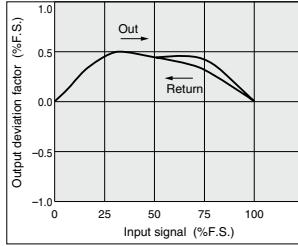
ITV1000/2000/3000 Series

ITV101 Series

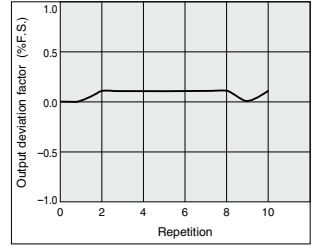
Linearity



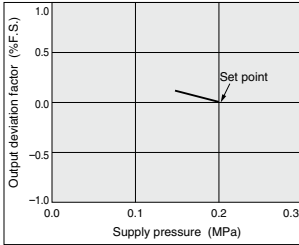
Hysteresis



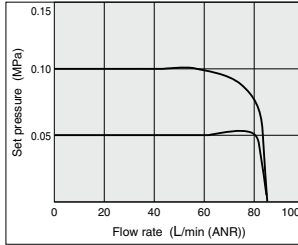
Repeatability



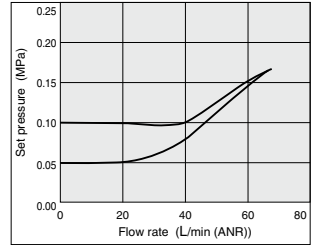
Pressure characteristics Set pressure: 0.05 MPa



Flow rate characteristics Supply pressure: 0.2 MPa

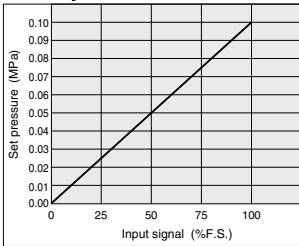


Relief flow characteristics Supply pressure: 0.2 MPa

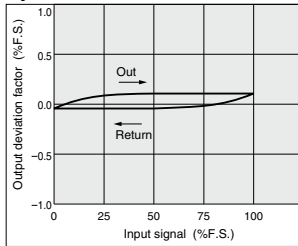


ITV201 Series

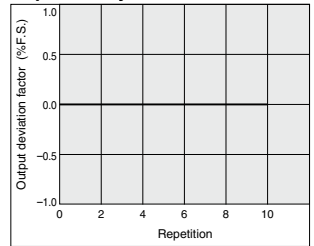
Linearity



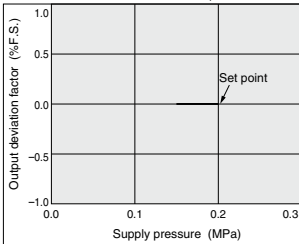
Hysteresis



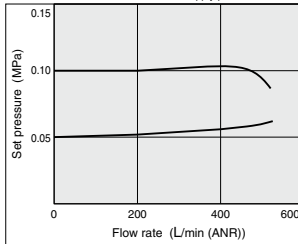
Repeatability



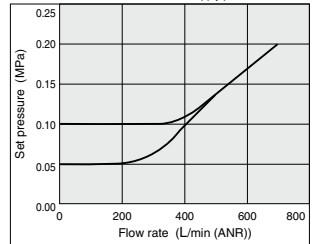
Pressure characteristics Set pressure: 0.05 MPa



Flow rate characteristics Supply pressure: 0.2 MPa

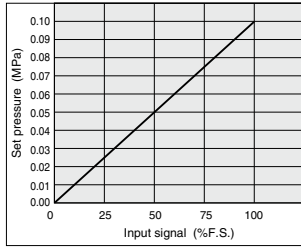


Relief flow characteristics Supply pressure: 0.2 MPa

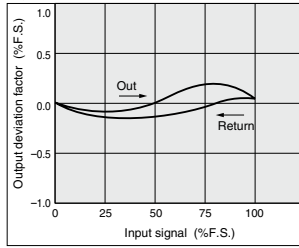


ITV301 Series

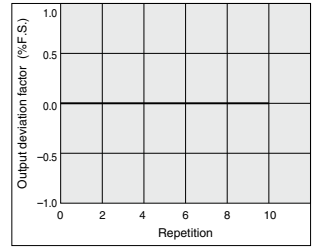
Linearity



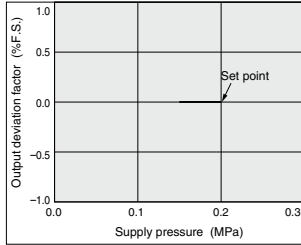
Hysteresis



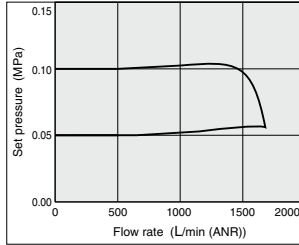
Repeatability



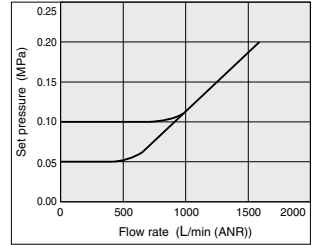
Pressure characteristics Set pressure: 0.05 MPa



Flow rate characteristics Supply pressure: 0.2 MPa



Relief flow characteristics Supply pressure: 0.2 MPa



ARJ

AR425
to 935

ARX

AMR

ARM

ARP

IR□-A

IR

IRV

VEX

SRH

SRP

SRF

ITV

IC

ITVH

ITVX

PVQ

VY1

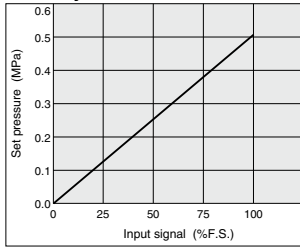
VBA
VBAT

AP100

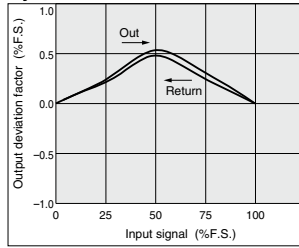
ITV1000/2000/3000 Series

ITV103 Series

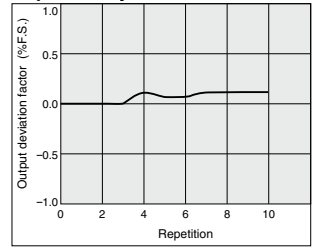
Linearity



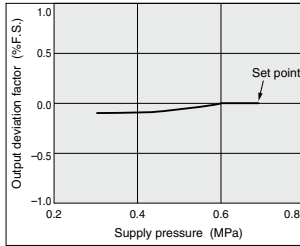
Hysteresis



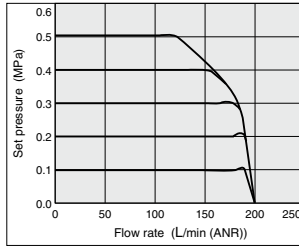
Repeatability



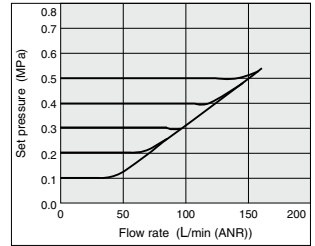
Pressure characteristics Set pressure: 0.2 MPa



Flow rate characteristics Supply pressure: 0.7 MPa

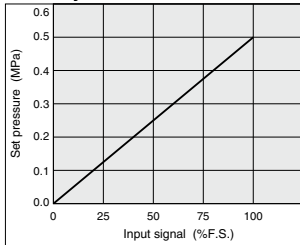


Relief flow characteristics Supply pressure: 0.7 MPa

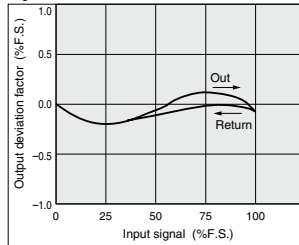


ITV203 Series

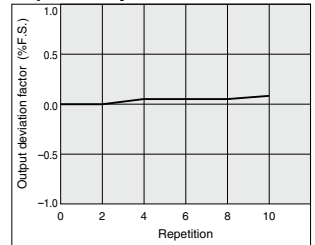
Linearity



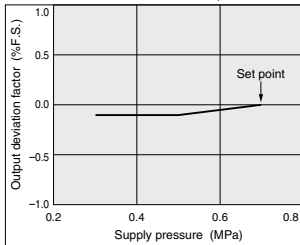
Hysteresis



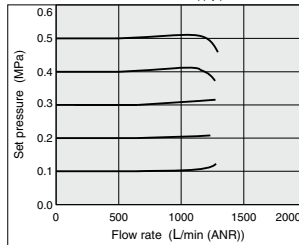
Repeatability



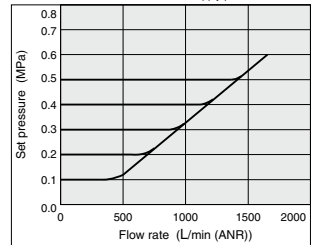
Pressure characteristics Set pressure: 0.2 MPa



Flow rate characteristics Supply pressure: 0.7 MPa

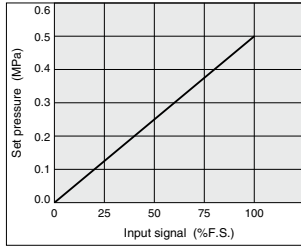


Relief flow characteristics Supply pressure: 0.7 MPa

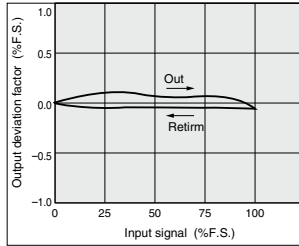


ITV303 Series

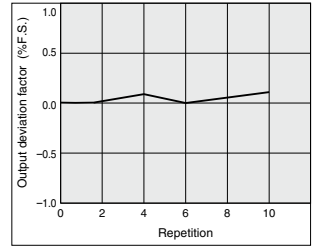
Linearity



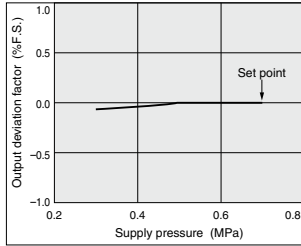
Hysteresis



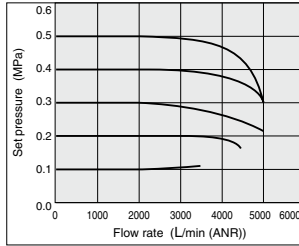
Repeatability



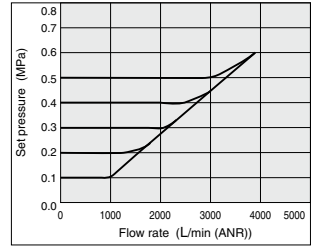
Pressure characteristics Set pressure: 0.2 MPa



Flow rate characteristics Supply pressure: 0.7 MPa



Relief flow characteristics Supply pressure: 0.7 MPa



ARJ

AR425 to 935

ARX

AMR

ARM

ARP

IR□-A

IR

IRV

VEX

SRH

SRP

SRF

ITV

IC

ITVH

ITVX

PVQ

VY1

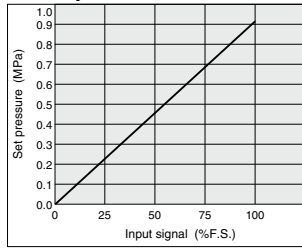
VBA
VBAT

AP100

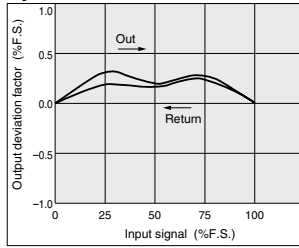
ITV1000/2000/3000 Series

ITV105 Series

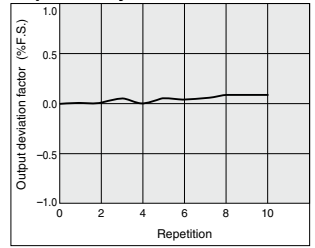
Linearity



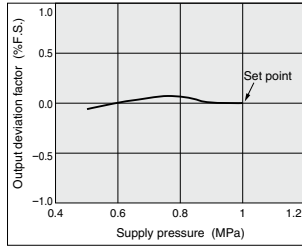
Hysteresis



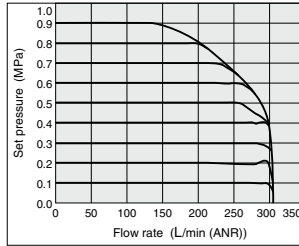
Repeatability



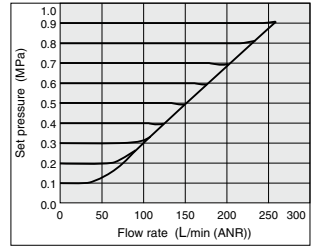
Pressure characteristics Set pressure: 0.4 MPa



Flow rate characteristics Supply pressure: 1.0 MPa

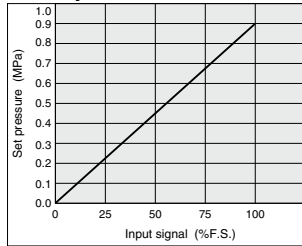


Relief flow characteristics Supply pressure: 1.0 MPa

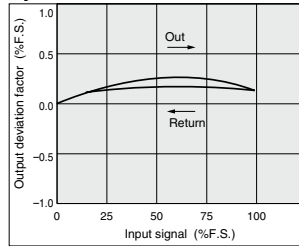


ITV205 Series

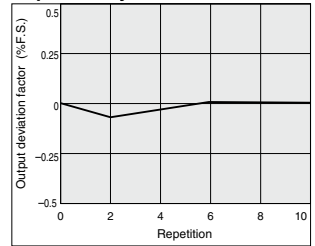
Linearity



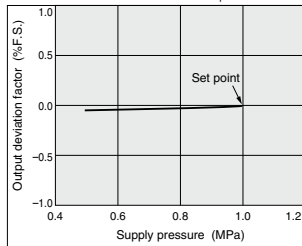
Hysteresis



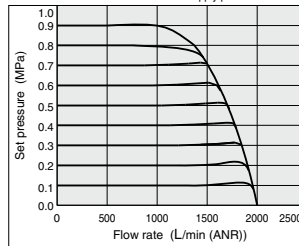
Repeatability



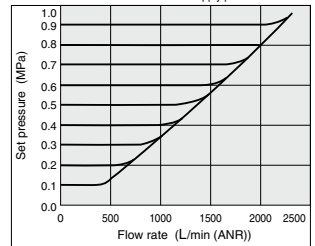
Pressure characteristics Set pressure: 0.4 MPa



Flow rate characteristics Supply pressure: 1.0 MPa

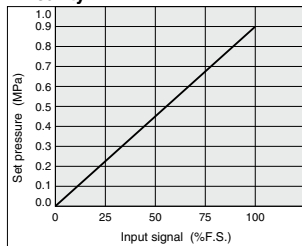


Relief flow characteristics Supply pressure: 1.0 MPa

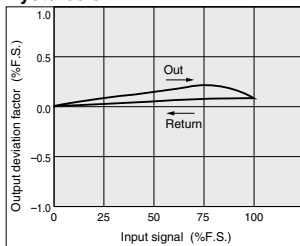


ITV305 Series

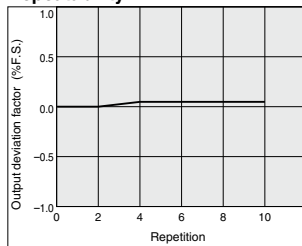
Linearity



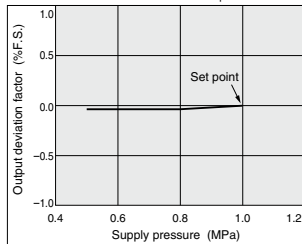
Hysteresis



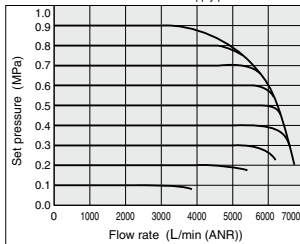
Repeatability



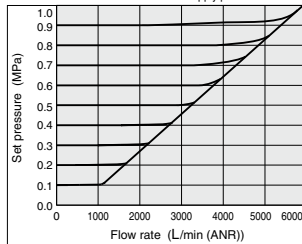
Pressure characteristics Set pressure: 0.4 MPa



Flow rate characteristics Supply pressure: 1.0 MPa



Relief flow characteristics Supply pressure: 1.0 MPa



ARJ

AR425
to 935

ARX

AMR

ARM

ARP

IR□-A

IR

IRV

VEVX

SRH

SRP

SRF

ITV

IC

ITVH

ITVX

PVQ

VY1

VBA

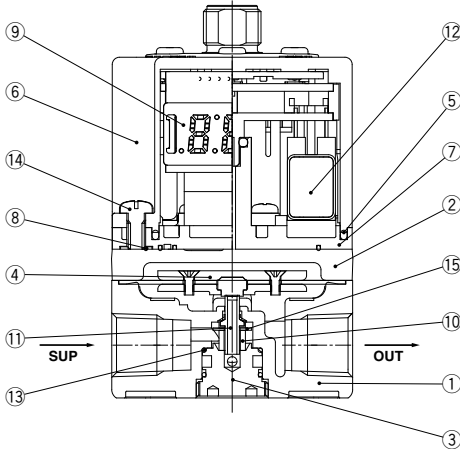
VBAT

AP100

ITV1000/2000/3000 Series

Construction

ITV1000

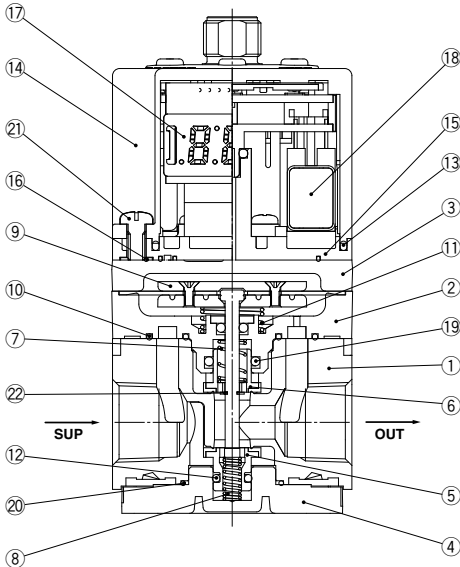


Main Component Parts

No.	Description	Material
◆ 1	Body	Aluminum alloy
2	Cover	Aluminum alloy
◆ 3	Valve guide	Aluminum alloy
◆ 4	Diaphragm assembly	Aluminum alloy
		Weather resistant NBR
5	Seal	Steel
6	Bowl assembly	NBR
7	Sub-plate	Resin
8	Seal	Silicone rubber
9	Control circuit assembly	Resin
◆ 10	Bumper	—
◆ 11	Valve	Stainless steel
		HNBR
12	Solenoid valve	—
◆ 13	O-ring	NBR
14	Round head Phillips screw	Steel
◆ 15	Flat washer	Stainless steel

* Parts in contact with fluid are indicated with a mark ◆.

ITV2000



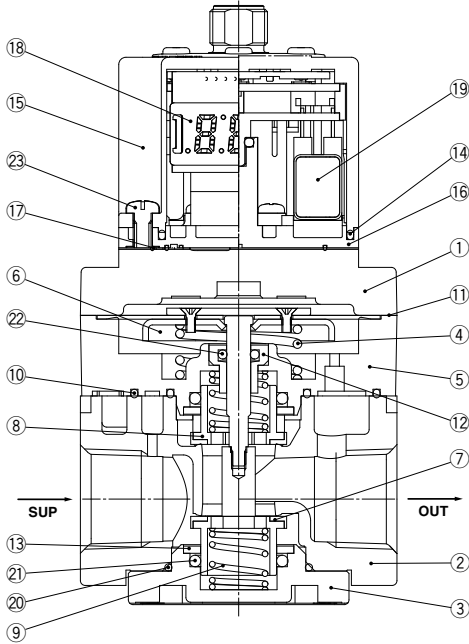
Main Component Parts

No.	Description	Material
◆ 1	Body	Aluminum alloy
◆ 2	Intermediate body	Aluminum alloy
3	Cover	Aluminum alloy
◆ 4	Valve guide	Aluminum alloy
◆ 5	Valve (Supply valve)	HNBR/Brass
◆ 6	Valve (Exhaust valve)	HNBR/Brass
◆ 7	Valve spring	Stainless steel
◆ 8	Valve spring	Stainless steel
◆ 9	Diaphragm assembly	Stainless steel
		Aluminum alloy
		Weather resistant NBR
10	Seal	Steel
◆ 10	Seal	NBR
◆ 11	Bias spring	Stainless steel
◆ 12	O-ring	—
◆ 13	O-ring	NBR
14	Seal	NBR
14	Bowl assembly	Resin
15	Sub-plate	Silicone rubber
16	Seal	Resin
17	Control circuit assembly	Resin
18	Solenoid valve	—
◆ 19	O-ring	—
◆ 19	O-ring	NBR
20	O-ring	NBR
21	Round head Phillips screw	Steel
◆ 22	Retaining ring	Stainless steel

* Parts in contact with fluid are indicated with a mark ◆.

Construction

ITV3000



Main Component Parts

No.	Description	Material
1	Cover	Aluminum alloy
2	Body	Aluminum alloy
3	Valve guide	Aluminum alloy
4	Bias spring	Stainless steel
5	Intermediate body	Aluminum alloy
6	Diaphragm assembly	Weather resistant NBR
		Rolled sheet steel
		Stainless steel
		Aluminum alloy
		Steel
7	Valve (Supply valve)	HNBR/Brass
8	Valve (Exhaust valve)	HNBR/Brass
9	Valve spring	Stainless steel
10	Seal	NBR
11	Seal	NBR
12	Rod guide	Brass
13	O-ring retainer	Aluminum alloy
14	Seal	NBR
15	Bowl assembly	Resin
		Silicone rubber
16	Sub-plate	Resin
17	Seal	NBR
18	Control circuit assembly	—
19	Solenoid valve	—
20	O-ring	NBR
21	O-ring	NBR
22	O-ring	NBR
23	Round head Phillips screw	Steel

* Parts in contact with fluid are indicated with a mark ◆.

ARJ

AR425
to 935

ARX

AMR

ARM

ARP

IR□-A

IR

IRV

VEV

SRH

SRP

SRF

ITV

IC

ITVH

ITVX

PVQ

VY1

VBA

VBAT

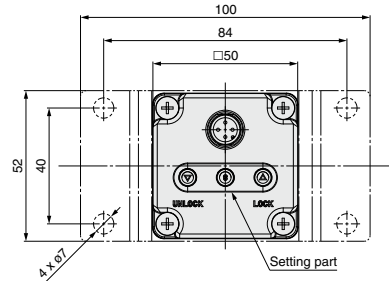
AP100

ITV1000/2000/3000 Series

Dimensions

ITV10□□

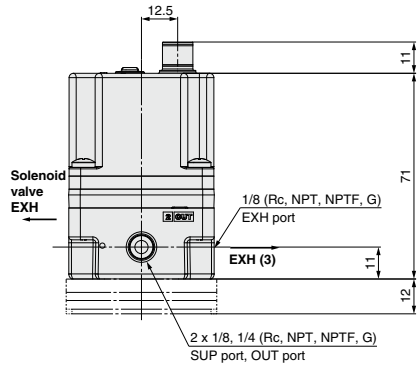
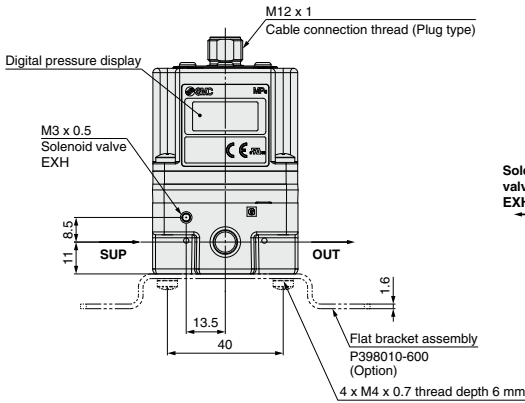
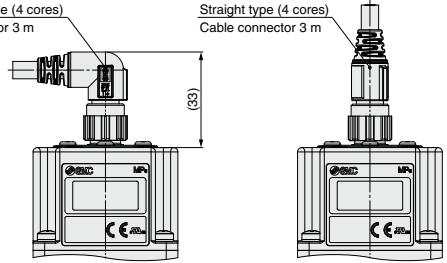
Flat bracket



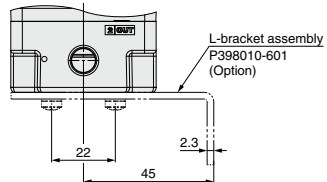
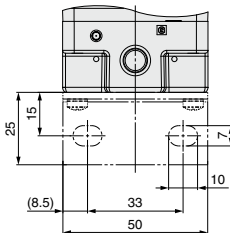
Note) Do not attempt to rotate, as the cable connector does not turn.

Right angle type (4 cores)
Cable connector 3 m

Straight type (4 cores)
Cable connector 3 m

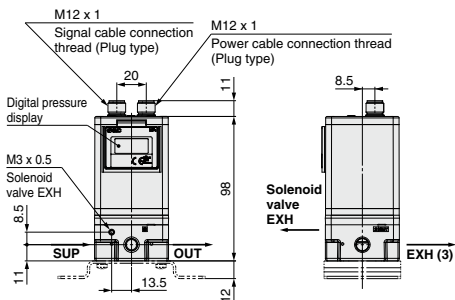


L-bracket

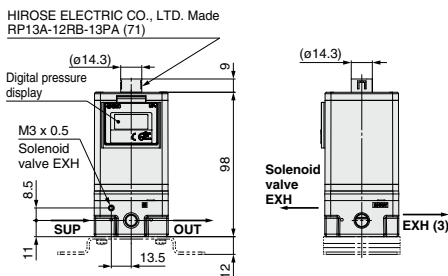


Dimensions (16 points preset input, 10 bit digital input, CC-Link, DeviceNet™, PROFIBUS DP and RS-232C)

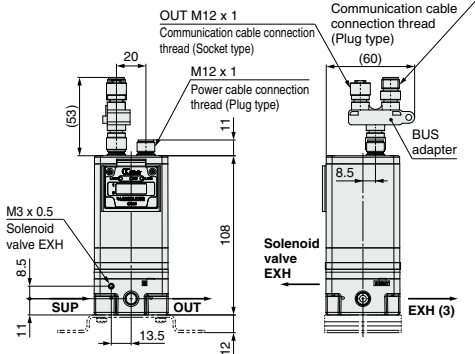
16 points preset input



10 bit digital input

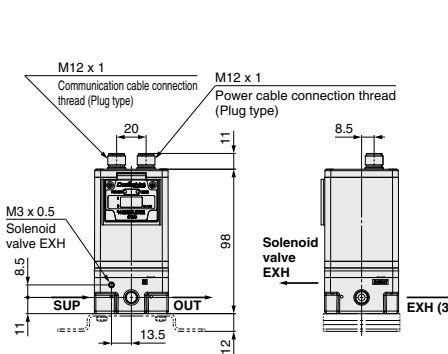


CC-Link/ITV10□0-CC



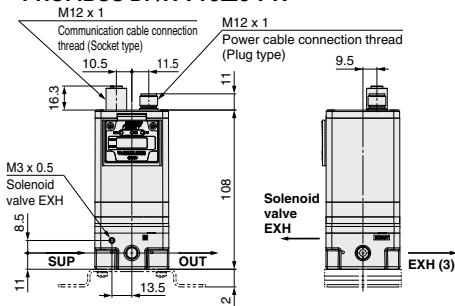
* Dimensions not shown are same as on page 916.

DeviceNet™/ITV10□0-DE



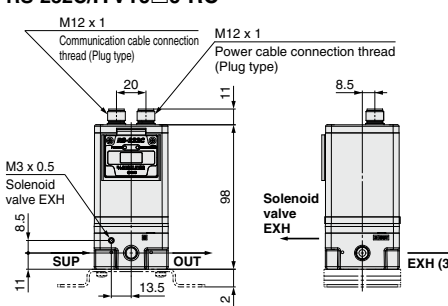
* Dimensions not shown are same as on page 916.

PROFIBUS DP/ITV10□0-PR



* Dimensions not shown are same as on page 916.

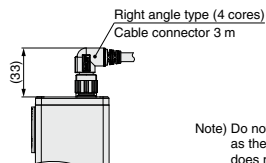
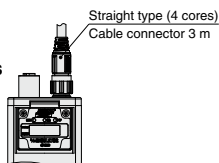
RS-232C/ITV10□0-RC



* Dimensions not shown are same as on page 916.

With power cable connector

52
53
* **ITV10□0-CC-DE-PR-RC** common dimensions



Note) Order communication cable (other than 16 points, RS-232C) separately. (Refer to page 904.)

Note) Do not attempt to rotate, as the cable connector does not turn.

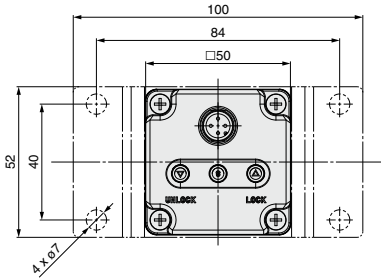
ARJ
AR425 to 935
ARX
AMR
ARM
ARP
IR□-A
IR
IRV
VEV
SRH
SRP
SRF
ITV
IC
ITVH
ITVX
PVQ
VY1
VBA
VBAT
AP100

ITV1000/2000/3000 Series

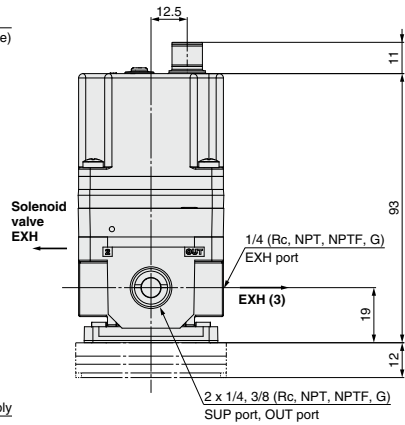
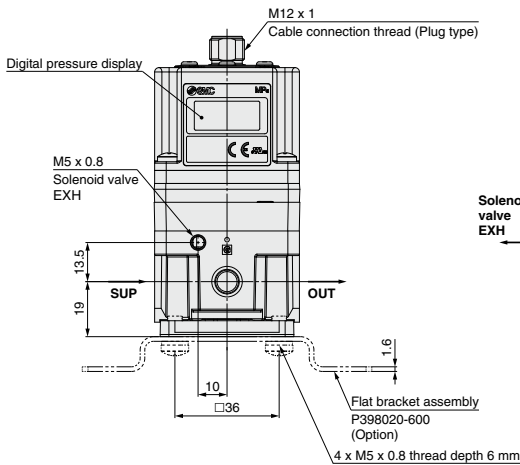
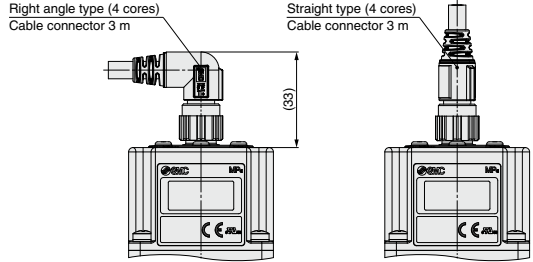
Dimensions

ITV20□□

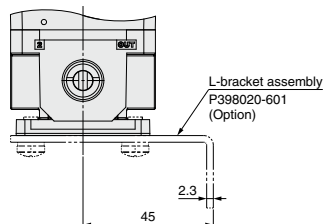
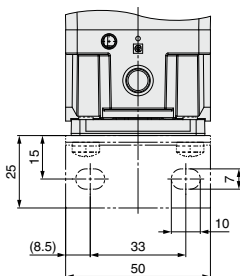
Flat bracket



Note) Do not attempt to rotate, as the cable connector does not turn.

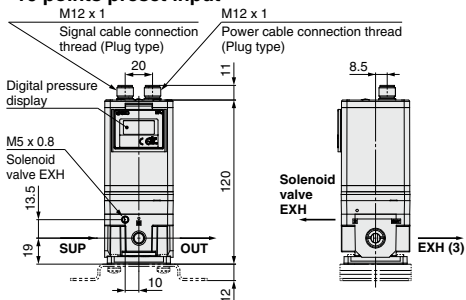


L-bracket

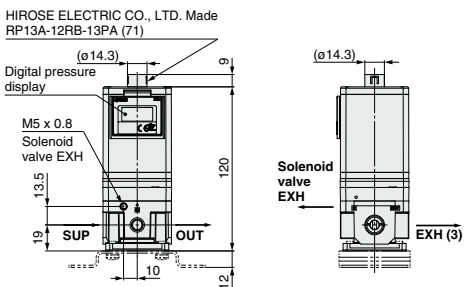


Dimensions (16 points preset input, 10 bit digital input, CC-Link, DeviceNet™, PROFIBUS DP and RS-232C)

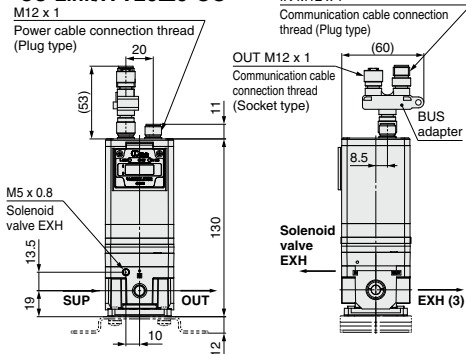
16 points preset input



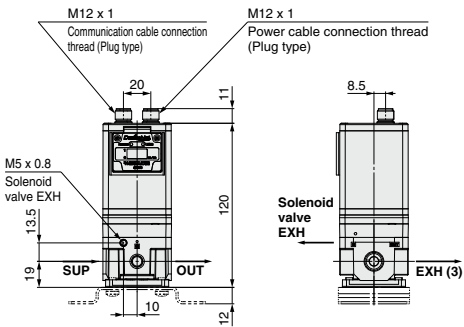
10 bit digital input



CC-Link/ITV20□0-CC



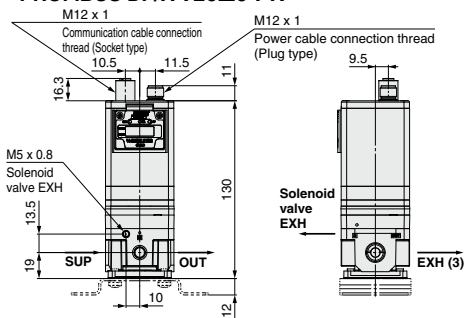
DeviceNet™/ITV20□0-DE



* Dimensions not shown are same as on page 918.

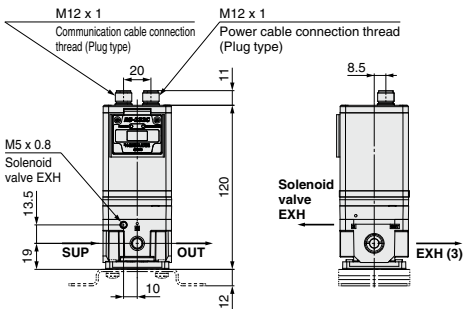
* Dimensions not shown are same as on page 918.

PROFIBUS DP/ITV20□0-PR



* Dimensions not shown are same as on page 918.

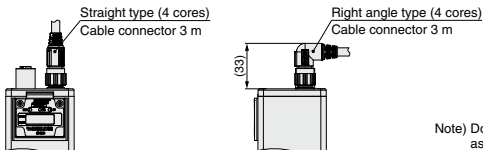
RS-232C/ITV20□0-RC



* Dimensions not shown are same as on page 918.

With power cable connector

* ITV20□0-**CC**
* ITV20□0-**DE**
* ITV20□0-**PR**
* ITV20□0-**RC** common dimensions



Note) Order communication cable (other than 16 points, RS-232C) separately. (Refer to page 904.)

Note) Do not attempt to rotate, as the cable connector does not turn.

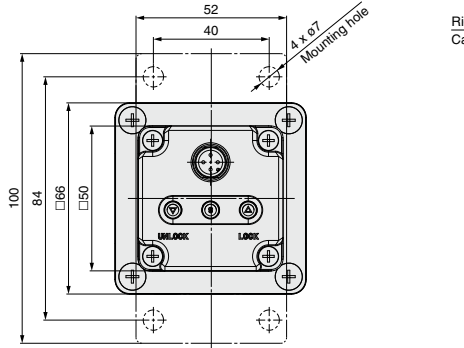
ARJ
AR425 to 935
ARX
AMR
ARM
ARP
IR□-A
IR
IRV
VEV
SRH
SRP
SRF
ITV
IC
ITVH
ITVX
PVQ
VY1
VBA
VBAT
AP100

ITV1000/2000/3000 Series

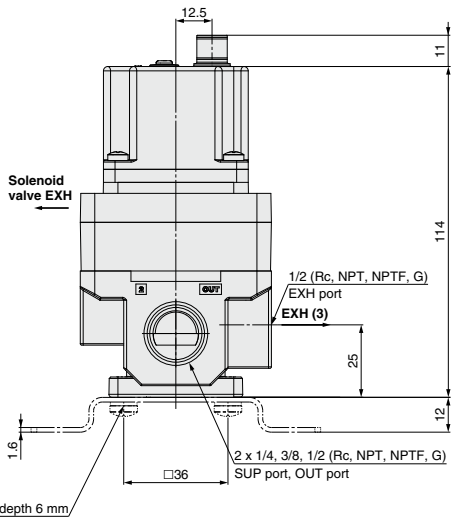
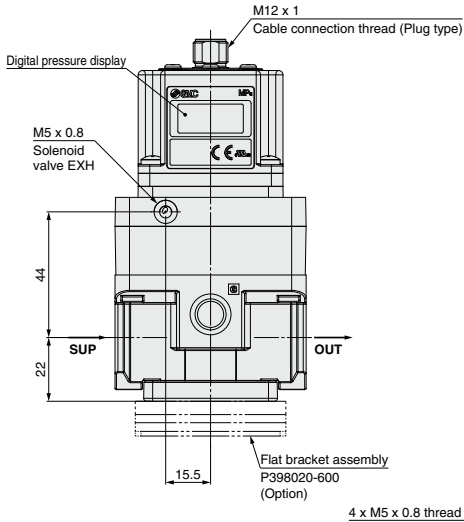
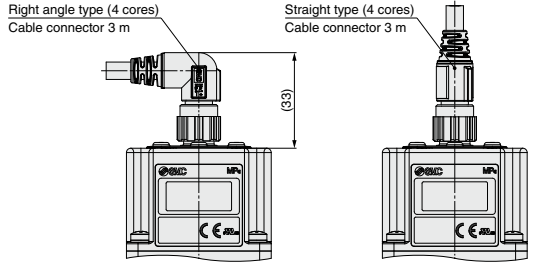
Dimensions

ITV30□□

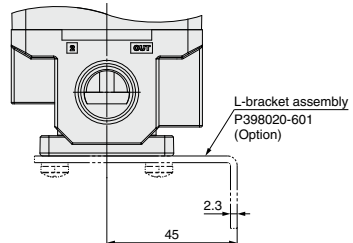
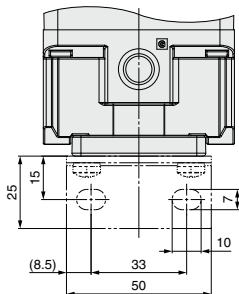
Flat bracket



Note) Do not attempt to rotate, as the cable connector does not turn.

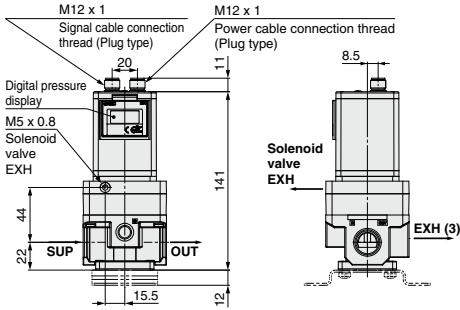


L-bracket

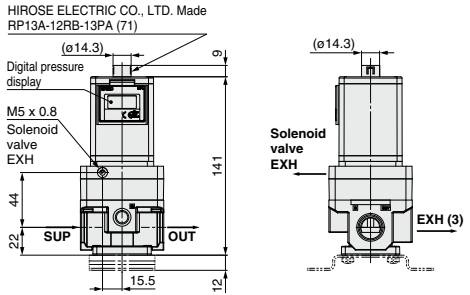


Dimensions (16 points preset input, 10 bit digital input, CC-Link, DeviceNet™, PROFIBUS DP and RS-232C)

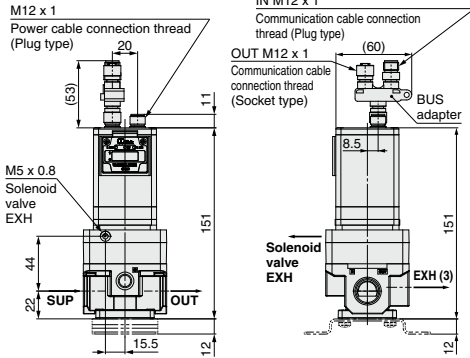
16 points preset input



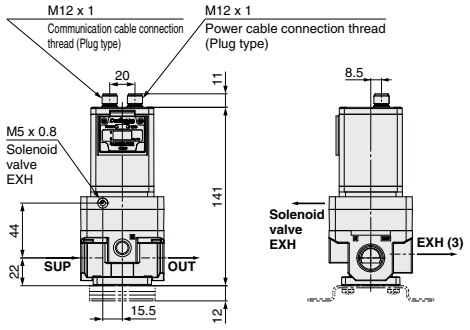
10 bit digital input



CC-Link/ITV30□-CC



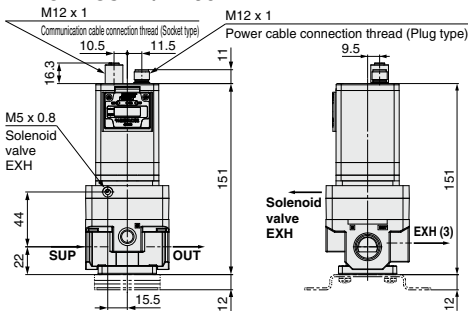
DeviceNet™/ITV30□-DE



* Dimensions not shown are same as on page 920.

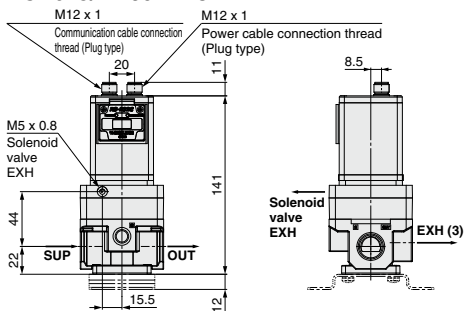
* Dimensions not shown are same as on page 920.

PROFIBUS DP/ITV30□-PR



* Dimensions not shown are same as on page 920.

RS-232C/ITV30□-RC



* Dimensions not shown are same as on page 920.

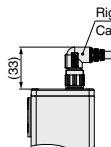
With power cable connector

* ITV30□-CC
52
53
54
55
56
57
58
59
60
61
62
63
64
65
66
67
68
69
70
71
72
73
74
75
76
77
78
79
80
81
82
83
84
85
86
87
88
89
90
91
92
93
94
95
96
97
98
99
100
101
102
103
104
105
106
107
108
109
110
111
112
113
114
115
116
117
118
119
120
121
122
123
124
125
126
127
128
129
130
131
132
133
134
135
136
137
138
139
140
141
142
143
144
145
146
147
148
149
150
151
152
153
154
155
156
157
158
159
160
161
162
163
164
165
166
167
168
169
170
171
172
173
174
175
176
177
178
179
180
181
182
183
184
185
186
187
188
189
190
191
192
193
194
195
196
197
198
199
200
201
202
203
204
205
206
207
208
209
210
211
212
213
214
215
216
217
218
219
220
221
222
223
224
225
226
227
228
229
230
231
232
233
234
235
236
237
238
239
240
241
242
243
244
245
246
247
248
249
250
251
252
253
254
255
256
257
258
259
260
261
262
263
264
265
266
267
268
269
270
271
272
273
274
275
276
277
278
279
280
281
282
283
284
285
286
287
288
289
290
291
292
293
294
295
296
297
298
299
300
301
302
303
304
305
306
307
308
309
310
311
312
313
314
315
316
317
318
319
320
321
322
323
324
325
326
327
328
329
330
331
332
333
334
335
336
337
338
339
340
341
342
343
344
345
346
347
348
349
350
351
352
353
354
355
356
357
358
359
360
361
362
363
364
365
366
367
368
369
370
371
372
373
374
375
376
377
378
379
380
381
382
383
384
385
386
387
388
389
390
391
392
393
394
395
396
397
398
399
400
401
402
403
404
405
406
407
408
409
410
411
412
413
414
415
416
417
418
419
420
421
422
423
424
425
426
427
428
429
430
431
432
433
434
435
436
437
438
439
440
441
442
443
444
445
446
447
448
449
450
451
452
453
454
455
456
457
458
459
460
461
462
463
464
465
466
467
468
469
470
471
472
473
474
475
476
477
478
479
480
481
482
483
484
485
486
487
488
489
490
491
492
493
494
495
496
497
498
499
500
501
502
503
504
505
506
507
508
509
510
511
512
513
514
515
516
517
518
519
520
521
522
523
524
525
526
527
528
529
530
531
532
533
534
535
536
537
538
539
540
541
542
543
544
545
546
547
548
549
550
551
552
553
554
555
556
557
558
559
560
561
562
563
564
565
566
567
568
569
570
571
572
573
574
575
576
577
578
579
580
581
582
583
584
585
586
587
588
589
590
591
592
593
594
595
596
597
598
599
600
601
602
603
604
605
606
607
608
609
610
611
612
613
614
615
616
617
618
619
620
621
622
623
624
625
626
627
628
629
630
631
632
633
634
635
636
637
638
639
640
641
642
643
644
645
646
647
648
649
650
651
652
653
654
655
656
657
658
659
660
661
662
663
664
665
666
667
668
669
670
671
672
673
674
675
676
677
678
679
680
681
682
683
684
685
686
687
688
689
690
691
692
693
694
695
696
697
698
699
700
701
702
703
704
705
706
707
708
709
710
711
712
713
714
715
716
717
718
719
720
721
722
723
724
725
726
727
728
729
730
731
732
733
734
735
736
737
738
739
740
741
742
743
744
745
746
747
748
749
750
751
752
753
754
755
756
757
758
759
760
761
762
763
764
765
766
767
768
769
770
771
772
773
774
775
776
777
778
779
780
781
782
783
784
785
786
787
788
789
790
791
792
793
794
795
796
797
798
799
800
801
802
803
804
805
806
807
808
809
810
811
812
813
814
815
816
817
818
819
820
821
822
823
824
825
826
827
828
829
830
831
832
833
834
835
836
837
838
839
840
841
842
843
844
845
846
847
848
849
850
851
852
853
854
855
856
857
858
859
860
861
862
863
864
865
866
867
868
869
870
871
872
873
874
875
876
877
878
879
880
881
882
883
884
885
886
887
888
889
890
891
892
893
894
895
896
897
898
899
900
901
902
903
904
905
906
907
908
909
910
911
912
913
914
915
916
917
918
919
920
921
922
923
924
925
926
927
928
929
930
931
932
933
934
935
936
937
938
939
940
941
942
943
944
945
946
947
948
949
950
951
952
953
954
955
956
957
958
959
960
961
962
963
964
965
966
967
968
969
970
971
972
973
974
975
976
977
978
979
980
981
982
983
984
985
986
987
988
989
990
991
992
993
994
995
996
997
998
999
1000

Note) Order communication cable (other than 16 points, RS-232C) separately. (Refer to page 904.)



Straight type (4 cores)
Cable connector 3 m



Right angle type (4 cores)
Cable connector 3 m

Note) Do not attempt to rotate, as the cable connector does not turn.

ARJ
AR425 to 935
ARX
AMR
ARM
ARP
IR□-A
IR
IRV
VEV
SRH
SRP
SRF
ITV
IC
ITVH
ITVX
PVQ
VY1
VBA VBAT
AP100

Made to Order Specifications 1

Please contact SMC for detailed dimensions, specifications and lead times.



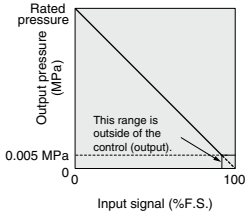
1 Reverse Type

In compliance with input, inverse proportional pressure is displayed.

ITV10 - - X102

ITV20 - - X102

ITV30 - - X102



Input/output characteristics chart

- Note 1) in part number is the same model no. for the standard products.
- Note 2) Except for preset input type and digital input type.
- Note 3) For communication models, consult SMC for availability.

2 High Pressure Type (SUP 1.2 MPa, OUT 1.0 MPa)

ITV10 - - X224

ITV20 - - X224

ITV30 - - X224

Note 1) For preset input type, digital input type and communication models, consult SMC for availability.

3 Set Pressure Range 1 to 100 kPa

ITV10 - - X25

ITV20 - - X25

Note 1) For preset input type, digital input type and communication models, consult SMC for availability.

Made to Order Specifications 2

Please contact SMC for detailed dimensions, specifications and lead times.



4 High-Speed Response Time Type

Pressure response with no load is approx. 0.1 sec.

Note 1) This is not a guaranteed value as it depends on the operating environment.

Note 2) When the input signal is at 0%, the exhaust solenoid valve is controlled to reduce the outlet pressure to zero. For this reason, a noise may be generated. This noise is normal and does not indicate a fault.

ITV 2 0 1 0 - 0 1 [] 2 [] S [] - X88

● Model

1	1000 type
2	2000 type

● Pressure range

1	0.1 MPa
3	0.5 MPa
5	0.9 MPa

● Power supply voltage

0	24 VDC
1	12 to 15 VDC

● Input signal

0	Current type 4 to 20 mA DC (Sink type)
1	Current type 0 to 20 mA DC (Sink type)
2	Voltage type 0 to 5 VDC
3	Voltage type 0 to 10 VDC

● Monitor output

1	Analog output 1 to 5 VDC
2	Switch output/NPN output
3	Switch output/PNP output
4	Analog output 4 to 20 mA DC (Sink type)

● Thread type

N11	Rc
N	NPT
T	NPTF
F	G

● Pressure display unit

N11	MPa
2*	kgf/cm ²
3	bar
4*	psi
5	kPa

* Under Japan's new Measurement Act, this is only for overseas sales (SI units are to be used inside Japan).

● Cable connector type

S	Straight type 3 m
L	Right angle type 3 m
N	Without cable connector

● Bracket *

N11	Without bracket
B	Flat bracket
C	L-bracket

* Bracket is included.

● Port size

1	1/8 (1000 type)
2	1/4 (1000, 2000 type)
3	3/8 (2000 type)

ARJ

AR425
to 935

ARX

AMR

ARM

ARP

IR□-A

IR

IRV

VEV

SRH

SRP

SRF

ITV

IC

ITVH

ITVX

PVQ

VY1

VBA

VBAT

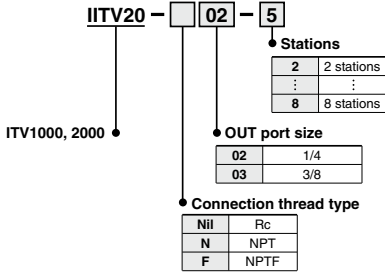
AP100



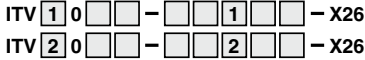
5 Manifold Specifications (Except ITV3000 series)

2 through 8 station manifold.

How to Order Manifolds



How to Order for Manifold Mounted



- Note 1) in part number is the same model no. for the standard products.
- Note 2) For communication models, consult SMC for availability.
- Note 3) The thread type is Rc only.
- Note 4) For ITV1000 series, the port size is 1/8 only.
- Note 5) For ITV2000 series, the port size is 1/4 only.
- Note 6) The bracket accessory can not be selected.
- Note 7) Not applicable to ITV3000 series

ITV20-02-31 set (3 station manifold base part no.)

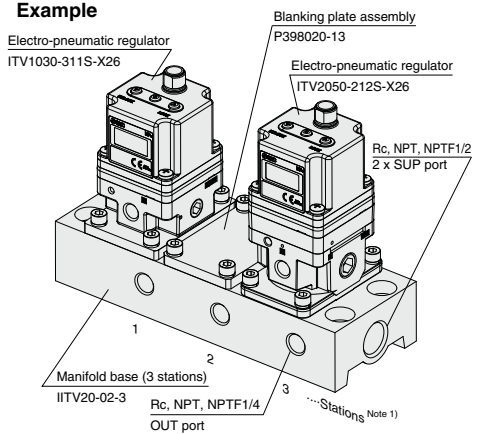
*ITV1030-311S-X261 set (Electro-pneumatic regulator part no.) ^{Note 2)}

*P398020-131 set (Blanking plate assembly part no.)

*ITV2050-212S-X261 set (Electro-pneumatic regulator part no.) ^{Note 2)}

┌ The * is the symbol for mounting. Add the * symbol at the beginning of part numbers for electro-pneumatic regulators, etc. to be mounted on the base.

How to Order Manifold Assemblies



Note) Refer to the table below for possible mixed combination.

Model	ITV101	ITV103	ITV105	ITV201	ITV203	ITV205
ITV101	●	—	—	●	—	—
ITV103	—	●	—	—	●	—
ITV105	—	—	●	—	—	●
ITV201	—	—	—	●	—	—
ITV203	—	—	—	—	●	—
ITV205	—	—	—	—	—	●

- Note 1) Electro-pneumatic regulators are counted starting from station 1 on the left side with the OUT ports in front.
- Note 2) The port size for mounted electro-pneumatic regulators is Rc 1/8 (ITV1000), Rc 1/4 (ITV2000) only.
- Note 3) When there is a large number of stations, use piping with the largest possible inside diameter for the supply side, such as steel piping.
- Note 4) The use of the straight type cable connector is recommended. To mount right angle type, be certain to check that no possible interference occurs.
- Note 5) When mounting a blanking plate and the regulator with different pressure set, please inform SMC of the order of a manifold station beside a purchase order.

Made to Order Specifications 4

Please contact SMC for detailed dimensions, specifications, and lead times.



6 Linearity: ±0.5% F.S. or Less

Application examples: Polishing equipment and peripheral equipment for wafers, LCD glasses, color filters, etc.

ITV 3 0 1 0 - 0 1 [] 2 [] S [] - X410

Model

1	1000 type
2	2000 type
3	3000 type

Pressure range

1	0.1 MPa
3	0.5 MPa
5	0.9 MPa

Power supply voltage

0	24 VDC
1	12 to 15 VDC

Input signal

0	Current type 4 to 20 mA DC (Sink type)
1	Current type 0 to 20 mA DC (Sink type)
2	Voltage type 0 to 5 VDC
3	Voltage type 0 to 10 VDC

Monitor output

1	Analog output 1 to 5 VDC
2	Switch output/NPN output
3	Switch output/PNP output
4	Analog output 4 to 20 mA DC (Sink type)

Thread type

Nil	Rc
N	NPT
T	NPTF
F	G

Bracket *

Nil	Without bracket
B	Flat bracket
C	L-bracket

* Bracket is included.

Port size

1	1/8 (1000 type)
2	1/4 (1000, 2000, 3000 type)
3	3/8 (2000, 3000 type)
4	1/2 (3000 type)

Linearity:
±0.5% F.S. or less

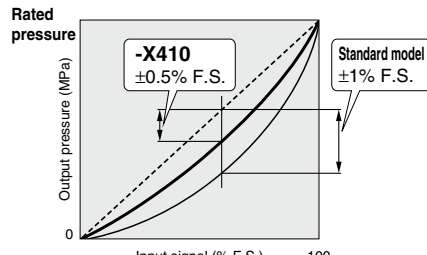
Pressure display unit

Nil	MPa
2 (Note)	kgf/cm ²
3	bar
4 (Note)	psi
5	kPa

Note) Under Japan's new Measurement Act, this is only for overseas sales (SI units are to be used inside Japan).

Cable connector type

S	Straight type 3 m
L	Right angle type 3 m
N	Without cable connector



The graph shown above is a typical example. (This graph shows that the output pressure curve is in a negative range when compared to the ideal line.)

Specifications

Fluid	Air	
Minimum supply pressure	Set pressure +0.1 MPa	
Maximum supply pressure	1.0 MPa (Pressure range 0.1 MPa type: 0.2 MPa) 1.5 MPa (Pressure range 0.1 MPa type: 0.3 MPa)	
Proof pressure	(Supply side)	1 MPa (Pressure range 0.1 MPa type: 0.2 MPa)
	(Output side)	1 MPa (Pressure range 0.1 MPa type: 0.2 MPa)
Set pressure range	1: 0.005 to 0.1 MPa, 3: 0.005 to 0.5 MPa, 5: 0.005 to 0.9 MPa	
Power supply voltage	0: 24 VDC ±10%, 1: 12 to 15 VDC	
Current consumption	0.12 A or less (24 VDC ±10% type) 0.18 A or less (12 to 15 VDC type)	
Input signal	0: 4 to 20 mA, 1: 0 to 20 mA, 2: 0 to 5 VDC, 3: 0 to 10 VDC	
Input impedance	Voltage type: Approx. 6.5 kΩ, Current type: 250 Ω or less	
Output signal	Analog output: 1 to 5 VDC/4 to 20 mA DC, Switch output (NPN/PNP)	
Linearity	±0.5% F.S. or less	
Hysteresis	0.5% F.S. or less	
Repeatability	±0.5% F.S. or less	
Sensitivity	0.2% F.S. or less	
Temperature characteristics	±0.12% F.S./°C or less	
Output pressure display	Accuracy	±2% F.S. ±1 digit or less
	Minimum unit	MPa: 0.001, kgf/cm ² : 0.01, bar: 0.01, psi: 0.1, kPa: 1
Ambient and fluid temperature	0 to 50°C (No condensation)	
Enclosure	IP65	
Weight	ITV1000: Approx. 250 g, ITV2000: Approx. 350 g, ITV3000: Approx. 645 g (without brackets)	

The above characteristics (specifications) are confined to the static state. When air is consumed on the output side, the pressure may fluctuate.



- ARJ
- AR425 to 935
- ARX
- AMR
- ARM
- ARP
- IR□-A
- IR
- IRV
- VEV
- SRH
- SRP
- SRF
- ITV
- IC
- ITVH
- ITVX
- PVQ
- VY1
- VBA
- VBAT
- AP100

Made to Order Specifications 5

Please contact SMC for detailed dimensions, specifications, and lead times.



7 With Alarm Output

Alarm is output if the set pressure is not reached or maintained for 5 seconds or more.

Application examples: Pressure management for thrust control, etc.

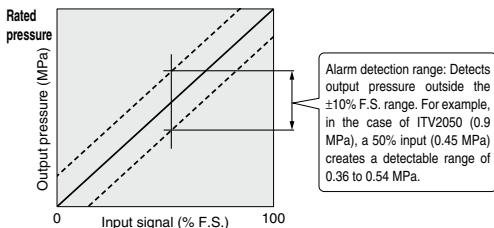
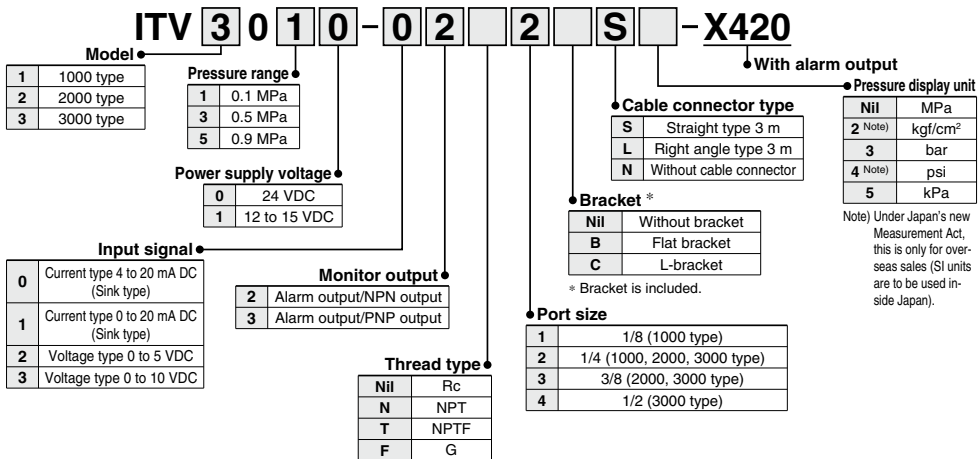


Figure 1. Alarm output range

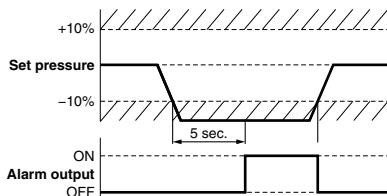


Figure 2. Relationship between output pressure and alarm output

Specifications

Fluid	Air	
Minimum supply pressure	Set pressure +0.1 MPa	
Maximum supply pressure	1.0 MPa (Pressure range 0.1 MPa type: 0.2 MPa)	
Proof pressure	(Supply side)	1.5 MPa (Pressure range 0.1 MPa type: 0.3 MPa)
	(Output side)	1 MPa (Pressure range 0.1 MPa type: 0.2 MPa)
Set pressure range	1: 0.005 to 0.1 MPa, 3: 0.005 to 0.5 MPa, 5: 0.005 to 0.9 MPa	
Power supply voltage	0: 24 VDC ±10%, 1: 12 to 15 VDC	
Current consumption	0.12 A or less (24 VDC ±10% type)	
	0.18 A or less (12 to 15 VDC type)	
Input signal	0: 4 to 20 mA, 1: 0 to 20 mA, 2: 0 to 5 VDC, 3: 0 to 10 VDC	
Input impedance	Voltage type: Approx. 6.5 kΩ, Current type: 250 Ω or less	
Output signal	Alarm output (NPN/PNP)	
Linearity	±1.0% F.S. or less	
Hysteresis	0.5% F.S. or less	
Repeatability	±0.5% F.S. or less	
Sensitivity	0.2% F.S. or less	
Temperature characteristics	±0.12% F.S./°C or less	
	±2% F.S. ±1 digit or less	
Output pressure display	Accuracy	MPa: 0.001, kgf/cm ² : 0.01, bar: 0.01, psi: 0.1, kPa: 1
	Minimum unit	
Ambient and fluid temperature	0 to 50°C (No condensation)	
Enclosure	IP65	
Weight	ITV10□□: Approx. 250 g, ITV20□□: Approx. 350 g, ITV30□□: Approx. 645 g (without brackets)	

The above characteristics (specifications) are confined to the static state. When air is consumed on the output side, the pressure may fluctuate.

Compact Vacuum Regulator

ITV009 Series



How to Order

For single unit and single unit for manifold

ITV00 9 0 - 3 **N**

Pressure range

9	-100 kPa
---	----------

Power supply voltage

0	24 VDC ±10%
1	12 to 15 VDC

Input signal

0	Current type 4 to 20 mA DC (Sink type)
1	Current type 0 to 20 mA DC (Sink type)
2	Voltage type 0 to 5 VDC
3	Voltage type 0 to 10 VDC

Built-in One-touch fittings type

For single unit

Symbol	VAC ¹	OUT ²	ATM ³
Nil	Metric size (Light gray)	ø4	
U	Inch size (Orange)	ø5/32"	

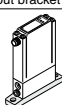
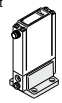
For manifold

Symbol	VAC ¹	OUT ²	ATM ³	
Nil	Metric size (Light gray)	ø6	ø4	ø6
U	Inch size (Orange)	ø1/4"	ø5/32"	ø1/4"

Cable connector (Option)

N	Without cable connector
S	Straight type 3 m
L	Right angle type 2 m

Bracket/Option for single unit only

Nil	Without bracket
B	Flat Bracket 
C	L-bracket 

Base type

Nil	For single unit
M	For manifolds

Manifold

IITV00 - 02 - **n**

Stations

02	2 stations
03	3 stations
:	:
10	10 stations

Option
If a DIN rail longer than the specified stations is required, specify the applicable stations in two digits.
(Maximum 10 stations)
Example) IITV00-05-07

One-touch fitting size for supply/exhaust parts (End plate)

Nil	ø6 (Light gray)
U	ø1/4" (Orange)

Note) A DIN rail with the length specified by the number of stations is attached to the manifold. For dimensions of the DIN rail, refer to the external dimensions.

How to Order Manifold Assembly (Example)

Indicate the part numbers of electro-pneumatic regulators to be mounted below the manifold part number.

Example)

Due to the common supply/exhaust feature, note that different pressure range combinations are not available.

ITV00-03.....1 set (Manifold part no.)

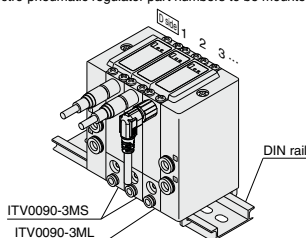
* ITV0090-3MS.....2 sets (Vacuum regulator part no. (1, 2 stations))

* ITV0090-3ML.....1 set (Vacuum regulator part no. (3 stations))

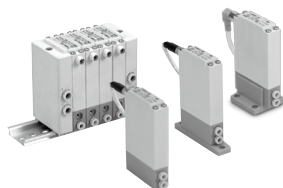
Indicate part numbers in order starting from the first station on the D side.

Note) Combination with having different pressure ranges is not available due to common supply/exhaust features.

The asterisk (*) specifies mounting. Add an asterisk (*) at the beginning of electro-pneumatic regulator part numbers to be mounted.



Specifications



Model		ITV009 	
Minimum supply pressure		Set pressure -1 kPa	
Maximum supply pressure		-101 kPa	
Set pressure range		-1 to -100 kPa	
Power supply	Voltage	24 VDC ±10%, 12 to 15 VDC	
	Current consumption	Power supply voltage 24 VDC type: 0.12 A or less Power supply voltage 12 to 15 VDC type: 0.18 A or less	
Input signal	Voltage type	0 to 5 VDC, 0 to 10 VDC	
	Current type	4 to 20 mA DC, 0 to 20 mA DC (Sink type)	
Input impedance	Voltage type	Approx. 10 kΩ	
	Current type	Approx. 250 Ω	
Output signal ^{Note 4)}	Analog output	1 to 5 VDC (Output impedance: Approx. 1 kΩ) Output accuracy: ±6% F.S. or less	
Linearity		±1% F.S. or less	
Hysteresis		0.5% F.S. or less	
Repeatability		±0.5% F.S. or less	
Sensitivity		0.2% F.S. or less	
Temperature characteristics		±0.12% F.S./°C or less	
Operating temperature range		0 to 50°C (No condensation)	
Enclosure		IP65 equivalent *	
Connection type		Built-in One-touch fittings	
Connection size	For single unit	Metric size	[1], [2], [3]: ø4
		Inch size	[1], [2], [3]: ø5/32"
	Manifold	Metric size	[1], [3]: ø6, [2]: ø4
		Inch size	[1], [3]: ø1/4", [2]: ø5/32"
Weight ^{Note 1)}		100 g or less (without option)	

Note 1) Indicates the weight of a single unit.

For IITV00-n

Total weight (g) Stations (n) x 100 + 130 (Weight of end block A, B assembly) + Weight (g) of DIN rail

Note 2) When there is a downstream flow consumption, pressure may become unstable depending on piping conditions.

Note 3) When the power is turned on, a noise may be generated. This noise is normal and does not indicate a fault.

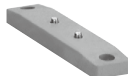
Note 4) When measuring ITV analog output from 1 to 5 VDC, if the load impedance is less than 100 kΩ, the analog output monitor accuracy of ±6% F.S. or less may not be available. The product with the accuracy of within ±6% is supplied upon your request. Output pressure remains unaffected.

* When using under the conditions equivalent to IP65, connect the fitting or tube to the breathing hole prior to use. (For details, refer to "Specific Product Precautions 1" on page 941.)

Accessories (Option)

Bracket

Flat bracket assembly (including 2 mounting screws)
P39800022



L-bracket assembly (including 2 mounting screws)
P39800023



Tighting torque when assembling is 0.3 N-m.

Cable connector

Straight type
M8-4DSX3MG4



Right angle type
P398000-501-2



ARJ

AR425
to 935

ARX

AMR

ARM

ARP

IR -A

IR

IRV

IVX

SRH

SRP

SRF

ITV

IC

ITVH

ITVX

PVQ

VY1

VBA

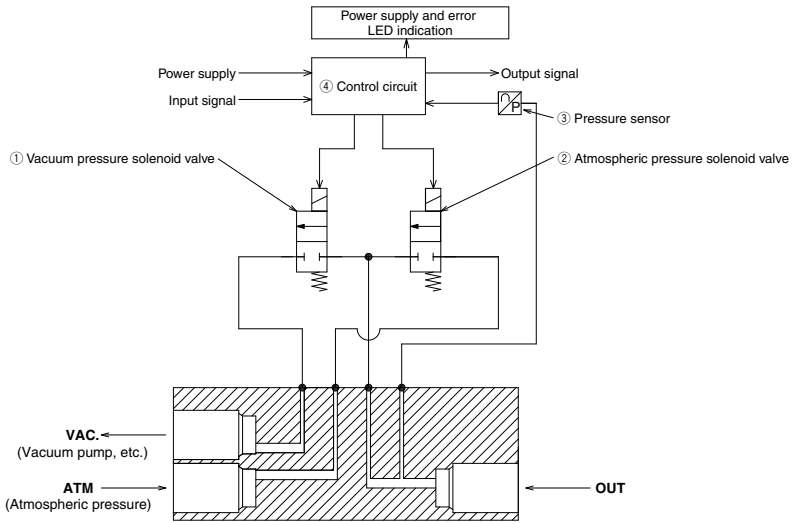
VBAT

AP100

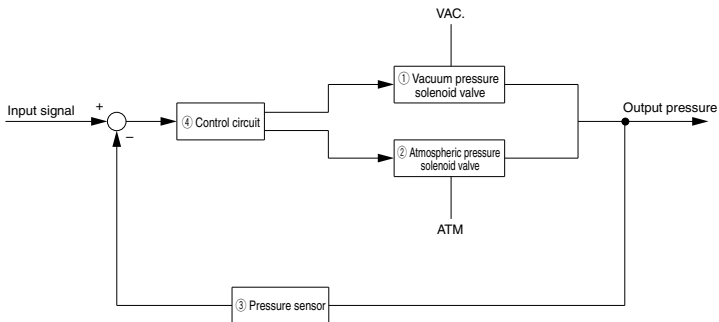
Working Principle

When the input signal rises, the vacuum pressure solenoid valve ① turns ON. Due to this, part of the vacuum pressure (VAC.) passes through the vacuum pressure solenoid valve ① and changes to a vacuum pressure. This vacuum pressure feeds back to the control circuit ④ via the pressure sensor ③. Here, the vacuum pressure solenoid valve and the atmospheric pressure solenoid valve work alternately to make continuous pressure corrections until vacuum pressure becomes proportional to the input signal, thus, supplying vacuum pressure that is consistently proportional to the input signal.

Working Principle Diagram

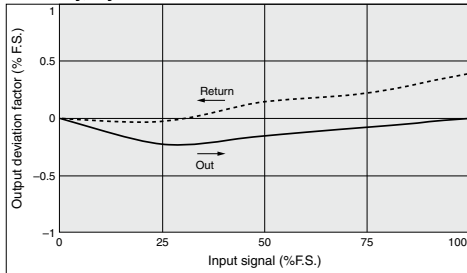


Block Diagram

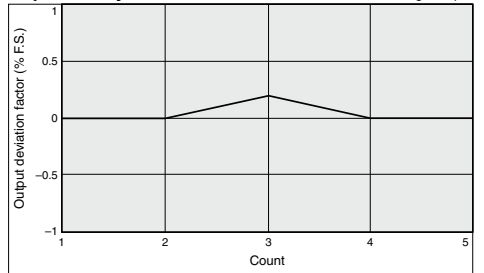


ITV009 **Series**

Linearity, Hysteresis

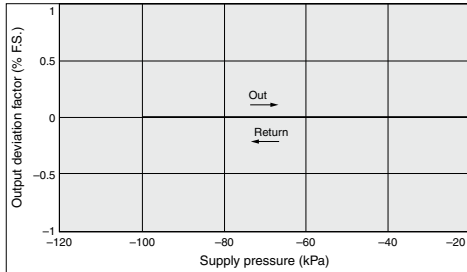


Repeatability

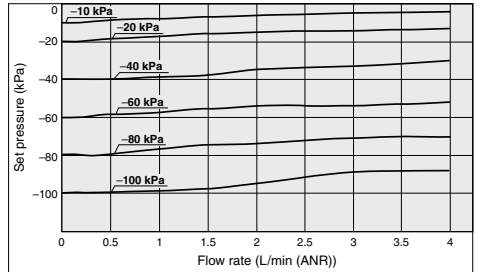


Pressure Characteristics

Set pressure: -10 kPa



Flow Rate Characteristics



ARJ

AR425
to 935

ARX

AMR

ARM

ARP

IR -A

IR

IRV

VEX

SRH

SRP

SRF

ITV

IC

ITVH

ITVX

PVQ

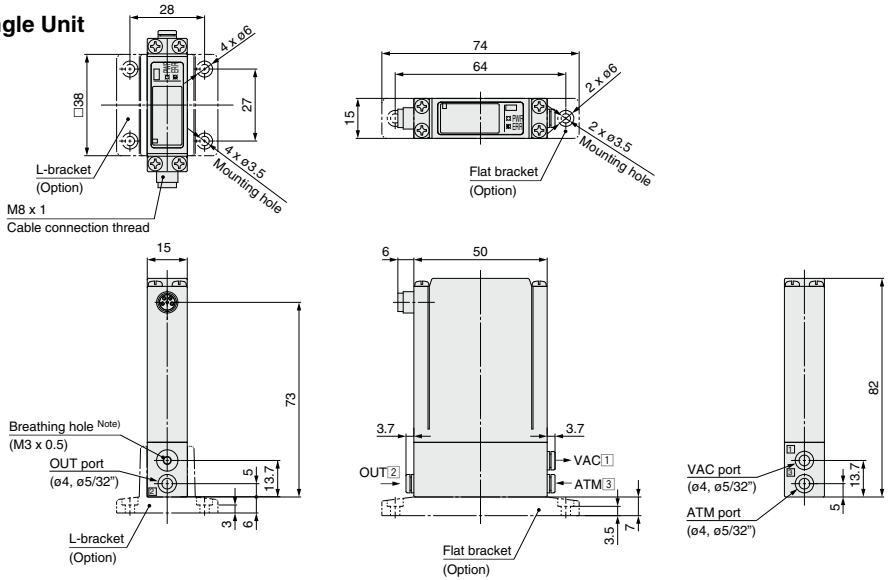
VY1

VBA
VBAT

AP100

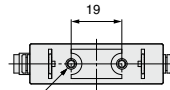
Dimensions

For Single Unit



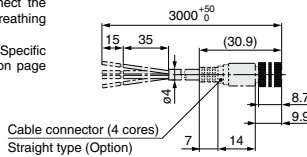
Port Location

No.	1	2	3
ITV009 	VAC	OUT	ATM



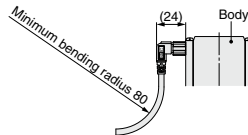
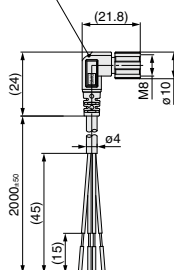
2 x M3 x 0.5 thread depth 3.5
Mounting thread

Note) When using under the conditions equivalent to IP65, connect the fittings or tube to the breathing hole prior to use.
(For details, refer to "Specific Product Precautions 1" on page 941.)



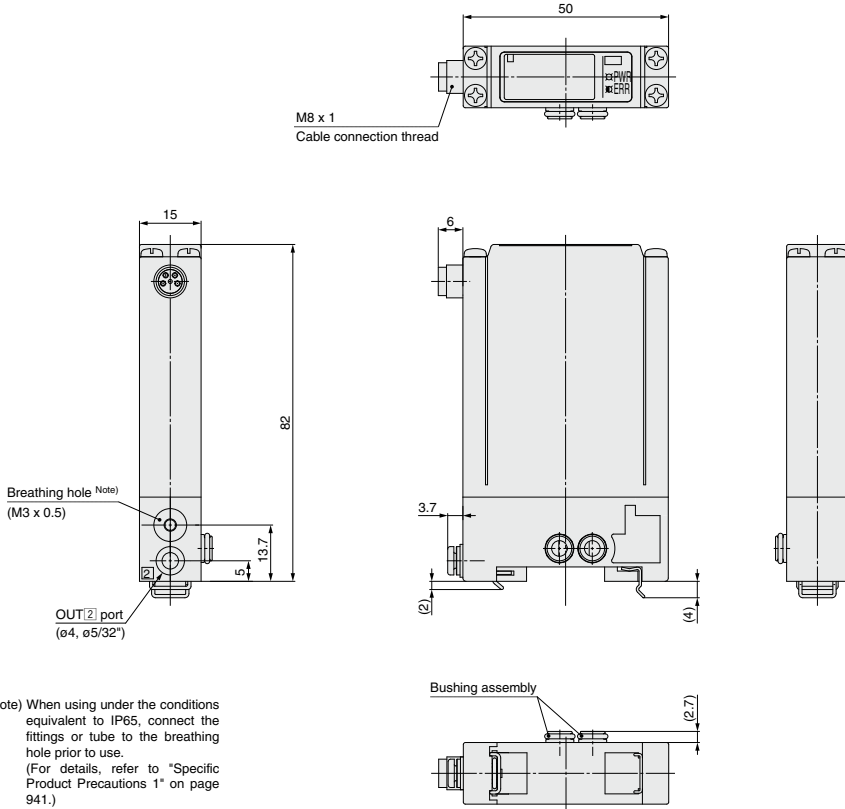
Cable connector (4 cores)
Straight type (Option)

Cable connector (4 cores)
Right angle type (Option)



Dimensions

Single unit for manifold



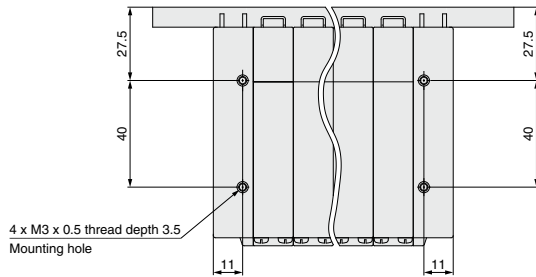
Note) When using under the conditions equivalent to IP65, connect the fittings or tube to the breathing hole prior to use.
(For details, refer to "Specific Product Precautions 1" on page 941.)

Note) For dimensions of the cable connector, refer to single unit on page 932.

ARJ
AR425 to 935
ARX
AMR
ARM
ARP
IR□-A
IR
IRV
VEX
SRH
SRP
SRF
ITV
IC
ITVH
ITVX
PVQ
VY1
VBA
VBAT
AP100

Dimensions

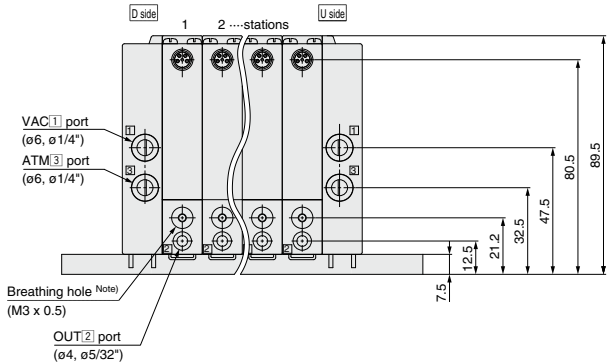
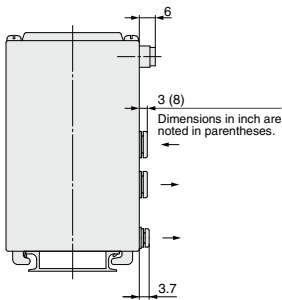
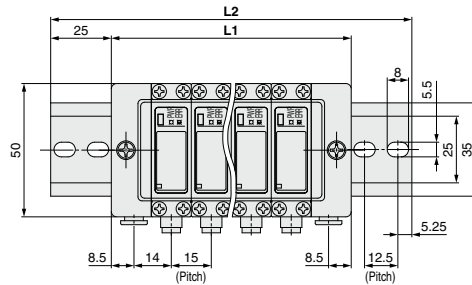
Manifold



Port Location

No.	[1]	[2]	[3]
ITV009 	VAC	OUT	ATM

Note) Stations are counted starting from the D side.



Note) For dimensions of the cable connector, refer to single unit on page 932.

Note) When using under the conditions equivalent to IP65, connect the fittings or tubing to the breathing hole prior to use. (For details, refer to "Specific Product Precautions 1" on page 941.)

Manifold stations n	2	3	4	5	6	7	8	9	10
L1	60	75	90	105	120	135	150	165	180
L2	110.5	123	148	160.5	173	185.5	198	223	235.5
Weight of DIN rail (g)	20	22	27	29	31	34	36	41	43

Electronic Vacuum Regulator ITV2090/2091 Series



How to Order

ITV 209 0 - 0 1 2 S 5

● **Pressure range**

9	-1.3 to -80 kPa
---	-----------------

● **Power supply voltage**

0	24 VDC
1	12 to 15 VDC

Note) Communication models (CC, DE, PR, RC), 16 points preset input and 10 bit digital input are available only for 24 VDC.

● **Pressure display unit**

5	kPa
---	-----

Note) For the communication models, CC, DE, PR and RC, only "Nil" is available as it does not have a pressure display.

● **Cable connector type**

S	Straight type 3 m
L	Right angle type 3 m
N	Without cable connector

Note) Even when a cable connector is selected, communication cable is not included in the communication models, CC, DE and PR. Please order it separately. Refer to the below. For 10 bit digital input, right angle type cannot be selected.

● **Bracket ***

NII	Without bracket
B	Flat bracket
C	L-bracket

* Bracket is included.

● **Port size**

2	1/4
---	-----

● **Thread type**

NII	Rc
N	NPT
T	NPTF
F	G

● **Input signal/ Communication model**

0	Current type 4 to 20 mA DC (Sink type)
1	Current type 0 to 20 mA DC (Sink type)
2	Voltage type 0 to 5 VDC
3	Voltage type 0 to 10 VDC
40	4 points preset input
52	16 points preset input (Switch output/NPN output)
53	16 points preset input (Switch output/PNP output)
60	10 bit digital input
CC	CC-Link
DE	DeviceNet™
PR	PROFIBUS DP
RC	RS-232C communication

● **Monitor output**

1	Analog output 1 to 5 VDC
2	Switch output/NPN output
3	Switch output/PNP output
4	Analog output 4 to 20 mA DC (Sink type)
NII	None

For communications cables, use the parts listed below (refer to M8/M12 connector in Best Pneumatics No.1-1 for details) or order the product certified for the respective protocol (with M12 connector) separately.

Application	Communication cable part number	Note
CC-Link compatibility	PCA-1567720 (Socket type)	Dedicated Bus adapter supplied with the product.
	PCA-1567717 (Plug type)	
DeviceNet™ compatibility	PCA-1557633 (Socket type)	T-branch connector not supplied.
	PCA-1557646 (Plug type)	
PROFIBUS DP compatibility	PCA-1557688 (Socket type)	T-branch connector not supplied.
	PCA-1557691 (Plug type)	

ARJ
AR425 to 935
ARX
AMR
ARM
ARP
IR□-A
IR
IRV
VEV
SRH
SRP
SRF
ITV
IC
ITVH
ITVX
PVQ
VY1
VBA
VBAT
AP100

ITV2090/2091 Series

Stepless control of vacuum pressure proportional to an electrical signal



Standard Specifications

Model	ITV2090	ITV2091
Minimum supply vacuum pressure ^{Note 1)}	Set pressure -13.3 kPa	
Maximum supply vacuum pressure	-101 kPa	
Set pressure range	-1.3 to -80 kPa	
Power supply	Voltage	24 VDC ±10%
	Current consumption	12 to 15 VDC
Input signal ^{Note 7)}	Current type	Power supply voltage 24 VDC type: 0.12 A or less ^{Note 7)} Power supply voltage 12 to 15 VDC type: 0.18 A or less
	Voltage type	4 to 20 mA DC, 0 to 20 mA DC (Sink type)
	Preset input	0 to 5 VDC, 0 to 10 VDC
Input impedance	Digital input	4 points (Negative common), 16 points (No common polarity)
	Current type	10 bit (Parallel)
	Voltage type	250 Ω or less ^{Note 3)}
	Preset input	Approx. 6.5 kΩ
Output signal ^{Note 4)} (Monitor output)	Analog output	Power supply voltage 24 VDC type: Approx. 4.7 kΩ Power supply voltage 12 VDC type: Approx. 2.0 kΩ
	Switch output	Approx. 4.7 kΩ
Linearity	1 to 5 VDC (Output impedance: Approx. 1 kΩ) 4 to 20 mA DC (Sink type) (Output impedance: 250 Ω or less) Output accuracy ± 6% F.S. or less	
Hysteresis	NPN open collector output: Max. 30 V, 80 mA PNP open collector output: Max. 80 mA	
Repeatability	± 1% F.S. or less	
Sensitivity	± 0.5% F.S. or less	
Temperature characteristics	± 0.2% F.S. or less	
Output pressure display	Accuracy	± 2% F.S. ± 1 digit or less
Ambient and fluid temperature	Units	kPa ^{Note 5)} Minimum display: 1
Enclosure	IP65	
Weight ^{Note 7, 8)}	390 g	

Note 1) The minimum supply vacuum pressure should be 13.3 kPa less than the maximum vacuum pressure setting value.
Note 2) 4 to 20 mA DC is not possible with the 2-wire type. Power supply voltage (24 VDC or 12 to 15 VDC) is required.
Note 3) Value for the state with no over current circuit included. If an allowance is provided for an over current circuit, the input impedance varies depending on the input power supply. This is 350 Ω or less for an input current of 20 mA DC.

When measuring ITV analog output from 1 to 5 VDC, if the load impedance is less than 100 kΩ, the analog output monitor accuracy of within ±6% (full span) may not be available. The product with the accuracy of within ±6% is supplied upon your request. Output pressure remains unaffected.

Note 4) Either analog output or switch output must be selected. Furthermore, when switch output is selected, either NPN output or PNP output must also be selected. Use caution that the preset input type is not equipped with an output signal function.

Note 5) Please contact SMC regarding indication with other units of pressure.

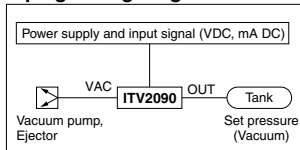
Note 6) The product characteristics are confined to the static state.

Pressure may fluctuate when air is consumed at the output side.

Note 7) Refer to the table below for communication specifications.

Note 8) Add 50 g for digital input type, 70 g for 16 points preset input type respectively.

Piping/Wiring Diagram



Communication Specifications (CC, DE, PR, RC)

Model	ITV□□0□-CC□□	ITV□□0□-DE□□	ITV□□0□-PR□□	ITV□□0□-RC□□
Protocol	CC-Link	DeviceNet™	PROFIBUS DP	RS-232C
Version ^{Note 1)}	Ver 1.10	Volume1 (Edition3.8), Volume3 (Edition1.5)	DP-V0	—
Communication speed	156 k/625 k 2.5 M/5 M/10 M bps	125 k/250 k/500 k bps	9.6 k/19.2 k/45.45 k 93.75 k/187.5 k/500 k 1.5 M/3 M/6 M/12 M bps	9.6 kbps
Configuration file ^{Note 2)}	—	EDS	GSD	—
I/O occupation area (input/output data)	4 word/4 word, 32 bit/32 bit (per station, remote device station)	16 bit/16 bit	16 bit/16 bit	—
Communication data resolution	12 bit (4096 resolution)	12 bit (4096 resolution)	12 bit (4096 resolution)	10 bit (1024 resolution)
Fail safe	HOLD ^{Note 3)} /CLEAR (Switch setting)	HOLD/CLEAR (Switch setting)	CLEAR	HOLD
Electric insulation ^{Note 4)}	Insulation	Insulation	Insulation	Non-insulation
Terminating resistor	Built into the product (Switch setting)	Not built into the product	Built into the product (Switch setting)	—
Current consumption	0.16 A or less	0.14 A or less	0.16 A or less	0.12 A or less
Weight	ITV2090 470	460	490	460

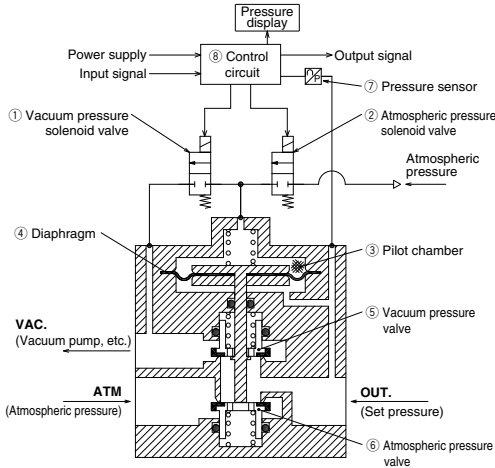
Note 1) Note that version information is subject to change.

Note 2) Configuration files can be downloaded from the operation manual page on SMC's website: <http://www.smcworld.com>

Note 3) The output HOLD value when a CC-Link communications error occurs can be set based on the bit area data.

Note 4) The insulation between the electrical signal of the communication system and ITV power supply.

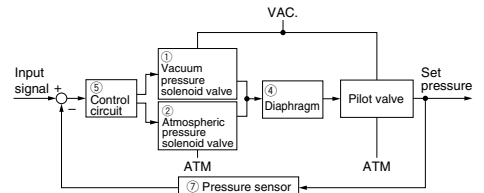
Working Principle



Working Principle

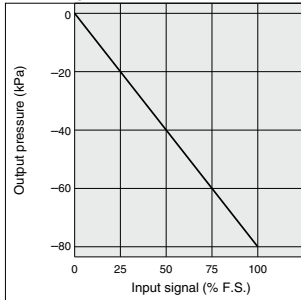
When the input signal increases, the vacuum pressure solenoid valve ① turns ON, and the atmospheric pressure solenoid valve ② turns OFF. Because of this, VAC. and the pilot chamber ③ are connected, the pressure in the pilot chamber ③ becomes negative and acts on the top of the diaphragm ④. As a result, the vacuum pressure valve ⑤ which is linked to the diaphragm ④ opens, VAC. and OUT. are connected, and the set pressure becomes negative. This negative pressure feeds back to the control circuit ⑧ via the pressure sensor ⑦. Then, a correct operation works until a vacuum pressure is obtained which is always proportional to the input signal.

Block Diagram

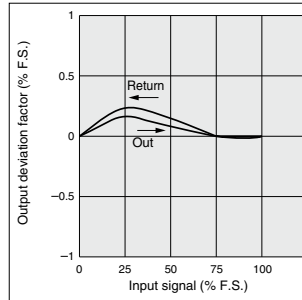


ITV209 Series

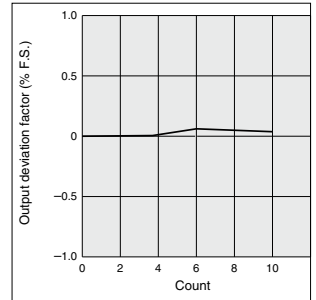
Linearity



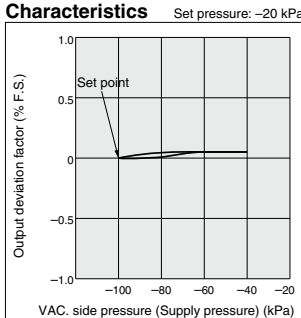
Hysteresis



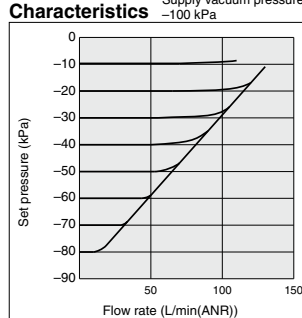
Repeatability



Pressure Characteristics



Flow Rate Characteristics



Flow rate characteristics measurement conditions

- Exhaust flow rate of the vacuum pump used for measurement: 500 L/min (ANR)
- Inlet vacuum pressure: -100 kPa (When outlet flow rate is 0 L/min (ANR))
- Maximum flow rate: 132 L/min (ANR) (With inlet vacuum pressure at -39 kPa)

ARJ
AR425 to 935
ARX
AMR
ARM
ARP
IR□-A
IR
IRV
VEX
SRH
SRP
SRF
ITV
IC
ITVH
ITVX
PVQ
VY1
VBA
VBAT
AP100

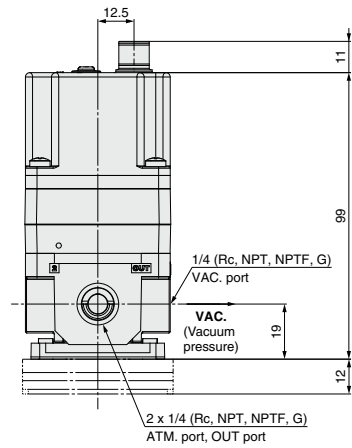
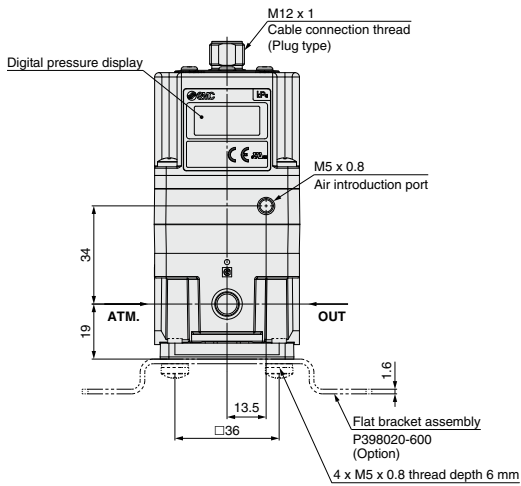
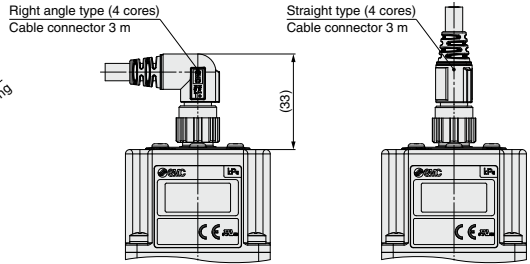
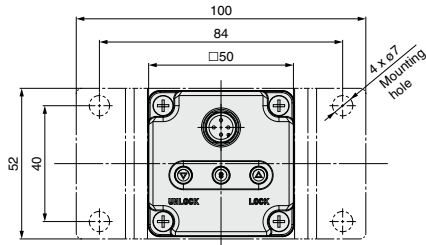
ITV209 Series

Dimensions

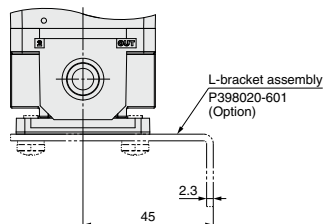
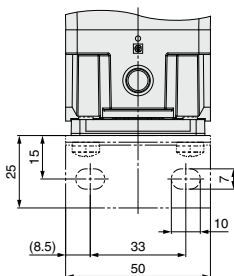
ITV209 Flat bracket

Flat bracket

Note) Do not attempt to rotate the cable connector, as it does not turn.

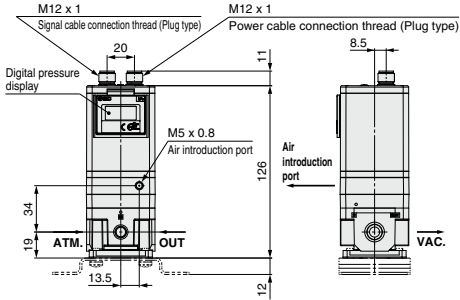


L-bracket

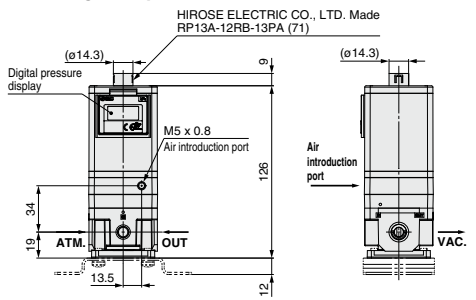


Dimensions (16 points preset input, 10 bit digital input, CC-Link, DeviceNet™, PROFIBUS DP and RS-232C)

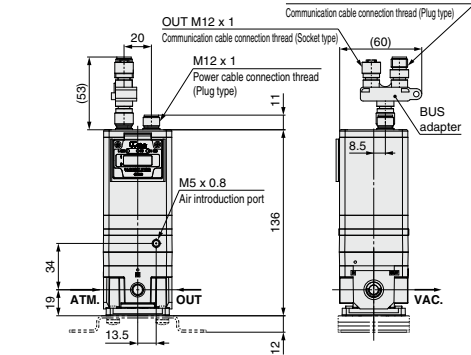
16 points preset input



10 bit digital input

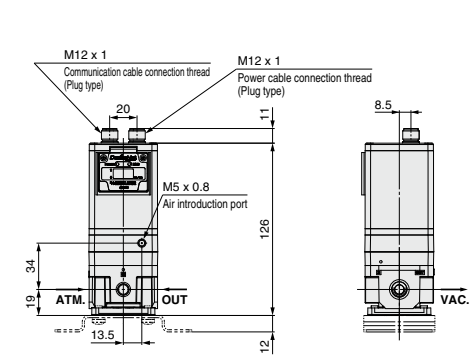


CC-Link/ITV2090-CC



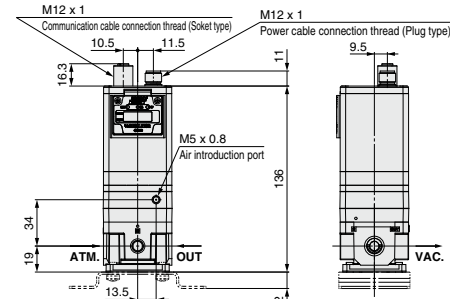
* Dimensions not shown are same as on page 938.

DeviceNet™/ITV2090-DE



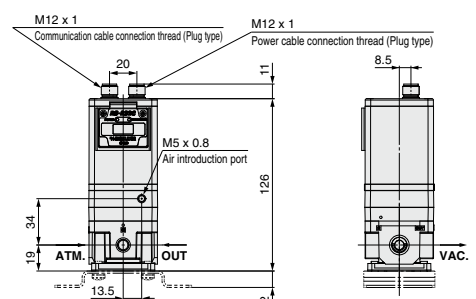
* Dimensions not shown are same as on page 938.

PROFIBUS DP/ITV2090-PR



* Dimensions not shown are same as on page 938.

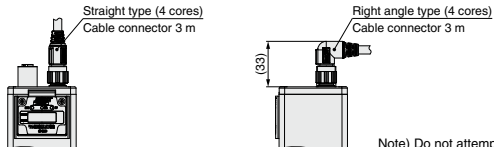
RS-232C/ITV2090-RC



* Dimensions not shown are same as on page 938.

With power cable connector

* **ITV2090-CC, DE, PR, RC** common dimensions



Note) Order communication cable (other than 16 points, RS-232C) separately. (Refer to page 904.)

Note) Do not attempt to rotate the cable connector, as it does not turn.

ARJ
AR425 to 935
ARX
AMR
ARM
ARP
IR□-A
IR
IRV
VEV
SRH
SRP
SRF
ITV
IC
ITVH
ITVX
PVQ
VY1
VBA
VBAT
AP100

Accessories (Option)/Part No.

[Bracket]

Description	Part No.
Flat bracket assembly (including mounting screws)	P398020-600
L-bracket assembly (including mounting screws)	P398020-601

[Cable connector]

Applicable model	Description	Part No.	
Current type Voltage type 4 points preset input	Cable connector (4 cores)	Straight type 3 m	P398020-500-3
		Right angle type 3 m	P398020-501-3
16 points preset input	Power cable (4 cores)	Straight type 3 m	P398020-500-3
		Right angle type 3 m	P398020-501-3
	Signal cable (5 cores)	Straight type 3 m	P398020-502-3
		Right angle type 3 m	P398020-503-3
10 bit digital input	Cable connector (13 cores)	Straight type 3 m	INI-398-0-59
CC-Link PROFIBUS DP DeviceNet™	Power cable (4 cores)	Straight type 3 m	P398020-500-3
		Right angle type 3 m	P398020-501-3
RS-232C	Power cable (4 cores)	Straight type 3 m	P398020-500-3
		Right angle type 3 m	P398020-501-3
	Communication cables connector (5 cores)	Straight type 3 m	P398020-502-3
		Right angle type 3 m	P398020-503-3

Note 1) For the 10-bit digital type, there is no right angle type cable connector.

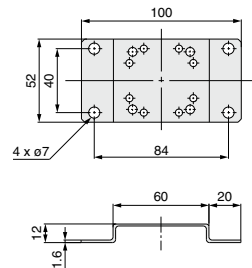
Note 2) Even when "with cable connector" is selected the communication cable is not included in the communication model (CC, DE, PR). Please order separately.

[Bus adapter]

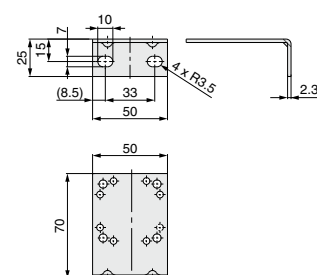
Applicable model	Description	Part No.
CC-Link	Bus adapter (Bus adapter supplied with the product.)	EX9-ACY00-MJ

Dimensions

Flat bracket



L-bracket



Model	Bracket tightening torque
ITV1000	0.76 ± 0.05 N·m
ITV2000/3000	1.5 ± 0.05 N·m



ITV0000/1000/2000/3000 Series

Specific Product Precautions 1

Be sure to read this before handling the products. Refer to back page 50 for Safety Instructions and pages 387 to 391 for Common Precautions.

ITV0000/009 Series Precautions

Air Supply

Caution

1. Install an air filter near this product on the supply side. Select a filtration degree of 5 μm or less.
2. Compressed air containing large amounts of drainage can cause malfunction of this product and other pneumatic equipment. As a countermeasure, install an aftercooler, air dryer or Drain Catch, etc.
3. If large amounts of carbon dust are generated by the compressor, it can accumulate inside this product and cause malfunction.

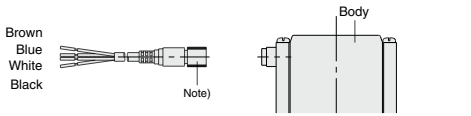
For details on the above compressed air quality, refer to SMC's "Air Preparation Systems".

Wiring

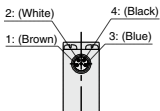
Caution

Connect the cable to the connector on the body with the wiring arranged as shown below. Proceed carefully, as incorrect wiring can cause damage.

Further, use DC power with sufficient capacity and a low ripple.

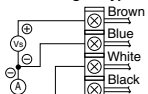


Terminal No.	1	2	3	4
Lead wire color	Brown	White	Blue	Black
Wiring	Power	Signal	COM	Monitor



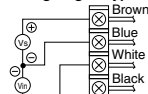
Wiring Diagrams

Current signal type



Vs: Power Supply 24 VDC \pm 10%
12 to 15 VDC
A : Input signals 4 to 20 mA DC
0 to 20 mA DC

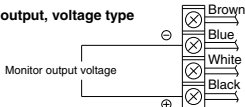
Voltage signal type



Vs : Power Supply 24 VDC \pm 10%
12 to 15 VDC
Vin: Input signals 0 to 5 VDC
0 to 10 VDC

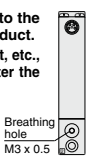
Monitor output wiring diagram

Analog output, voltage type



Handling

Caution

1. Do not use a lubricator on the supply side of this product, as this can cause malfunction. When lubrication of terminal equipment is necessary, connect a lubricator on the output side of this equipment.
2. If electric power is shut off while pressure is being applied, pressure will be retained on the output side.
However, this output pressure is held only temporarily and is not guaranteed. If exhausting of this pressure is desired, shut off the power after reducing the set pressure, and discharge the air using a residual pressure exhaust valve, etc.
3. If power to this product is cut off due to a power failure, etc. when it is in a controlled state, output pressure will be retained temporarily. Handle carefully when operating with output pressure released to the atmosphere, as air will continue to flow out.
4. If supply pressure to this product is interrupted while the power is still on, the internal solenoid valve will continue to operate and a humming noise may be generated.
Since the life of the product may be shortened, shut off the power supply also when supply pressure is shut off.
5. This product is adjusted for each specification at the time of shipment from the factory. Avoid careless disassembly or removal of parts, as this can lead to malfunction.
6. The optional cable connector is a 4 wire type. When the monitor output (analog output or switch output) is not being used, keep it from touching the other wires as this can cause malfunction.
7. Please note that the right angle cable does not rotate and is limited to only one entry direction.
8. Take the following steps to avoid malfunction due to noise.
 - 1) Remove power supply noise during operation by installing a line filter, etc. in the AC power line.
 - 2) For avoiding the influence of noise or static electricity, install this product and its wiring as far as possible from strong electric fields such as those of motors and power lines, etc.
 - 3) Be sure to implement protective measures against load surge for induction loads (solenoid valves, relays, etc.).
9. The product characteristics are confined to the static state. When air is consumed on the output side, and especially used in the system with large leakage, pressure cannot approach the set pressure and the service life is drastically shortened with a humming noise of the solenoid valve.
10. For details on the handling of this product, refer to the operation manual which is included with the product.
11. In locations where the body is exposed to water, dust, etc., there is a possibility that moisture or dust could enter the body through the breathing hole.
Mount a fitting and tube (M-3AU-3 fitting and TIU01m-mm tube recommended) onto the breathing hole and run the tube to a location not exposed to moisture or dust, etc.
 
12. If this product will be used in a sealed environment, such as inside an inspection box, a ventilation fan should be installed to ensure adequate ventilation as this product can generate heat in some operating conditions.
When the power is turned on, a noise may be generated as a means of checking the operating condition of the solenoid valve. This noise is normal and does not indicate a fault.
13. Each product needs to be powered by one power supply unit.
The wiring of this product has the same common between the GND for power and the signals; there is a possibility that a wrong current occurs and prevents a proper operation if one power supply unit controls multiple electro-pneumatic regulators.
14. This product does not have a shut-off valve function. If air pressure is supplied without electric power being applied, output pressure may increase to the pressure equivalent of the supply pressure. Operate the system to shut off the supply pressure when not operating the product.

ARJ

AR425 to 935

ARX

AMR

ARM

ARP

IR□-A

IR

IRV

VEX

SRH

SRP

SRF

ITV

IC

ITVH

ITVX

PVQ

VY1

VBA

VBAT

AP100



ITV0000/1000/2000/3000 Series Specific Product Precautions 2

Be sure to read this before handling the products. Refer to back page 50 for Safety Instructions and pages 387 to 391 for Common Precautions.

ITV1000/2000/3000/209 Series Precautions

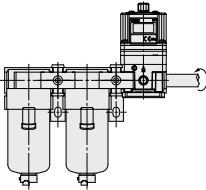
Piping

⚠ Warning

1. Screw piping together with the recommended proper torque while holding the side that has female threads.

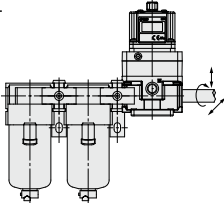
Looseness or faulty sealing will occur if tightening torque is insufficient, while thread damage will result if the torque is excessive. Furthermore, if the side with the female threads is not held while tightening, excessive force will be applied directly to piping brackets, etc. causing damage or other problems.

Connection thread	Recommended proper torque: N · m			
	1/8	1/4	3/8	1/2
Torque	3 to 5	8 to 12	15 to 20	20 to 25



2. Do not allow twisting or bending moment to be applied other than the weight of the equipment itself.

Provide separate support for external piping, as damage may otherwise occur.



3. Since excessive moment loads and the propagation of vibrations, etc. can easily result from inflexible piping made of materials such as steel, avoid these problems by using flexible tubing for intermediate connections.

⚠ Caution

1. Preparation before piping

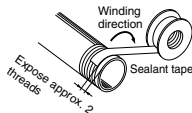
Before piping is connected, it should be thoroughly blown out with air (flushing) or washed to remove chips, cutting oil and other debris from inside the pipe.

If chips, sealing material or other debris enter into this product, the solenoid valve may buzz, or the outlet pressure may not be output normally.

2. Winding of sealant tape

When screwing together pipes and fittings, etc., be certain that chips from the pipe threads and sealing material do not get inside the piping.

Also, when sealant tape is used, leave 1.5 to 2 thread ridges exposed at the end of the threads.



Operating Environment

⚠ Warning

1. Do not operate in locations having an atmosphere of corrosive gases, chemicals, sea water, or where there will be contact with the same.

2. Do not operate in locations where vibration or impact occurs.

⚠ Caution

1. In locations where the body is exposed to water, steam, dust, etc., there is a possibility that moisture or dust could enter the body through the EXH (solenoid) ports, thereby causing problems.

2. To overcome this, simply install tubing to each port, using the fittings, and extend the tubing so that the other end is at a location where no water splash, etc. occurs. Make sure not to bend, or block the I.D. of the tubing as this will have a detrimental affect on the pressure control.

3. Do not operate in locations where vibration or impact occurs.

4. In locations which receive direct sunlight, provide a protective cover, etc.

5. In locations near heat sources, block off any radiated heat.

6. In locations where there is contact with spatter from water, oil or solder etc., implement suitable protective measures.

Air Supply

⚠ Warning

1. Type of fluids

Please consult with SMC when using the product in applications other than compressed air.

2. Do not use compressed air that contains chemicals, synthetic oils including organic solvents, salt or corrosive gases, etc., as it can cause malfunction.

⚠ Caution

1. Install an air filter near this product on the supply side. Select a filtration degree of 5 μm or less.

2. Compressed air containing large amounts of drainage can cause malfunction of this product and other pneumatic equipment. As a countermeasure, install an aftercooler, air dryer or Drain Catch, etc.

3. If large amounts of carbon dust are generated by the compressor, it can accumulate inside this product and cause malfunction. For details on the above compressed air quality, refer to SMC's "Air Preparation Systems".



ITV0000/1000/2000/3000 Series

Specific Product Precautions 3

Be sure to read this before handling the products. Refer to back page 50 for Safety Instructions and pages 387 to 391 for Common Precautions.

ITV1000/2000/3000/209 Series Precautions

Handling

⚠ Caution

- Do not use a lubricator on the supply side of this product, as this can cause malfunction. When lubrication of terminal equipment is necessary, connect a lubricator on the output side of this equipment.
- If electric power is shut off while pressure is being applied, pressure will be retained on the output side. However, this output pressure is held only temporarily and is not guaranteed. If exhausting of this pressure is desired, shut off the power after reducing the set pressure, and discharge the air using a residual pressure exhaust valve, etc.
- If power to this product is cut off due to a power failure, etc. when it is in a controlled state, output pressure will be retained temporarily. Handle carefully when operating with output pressure released to the atmosphere, as air will continue to flow out.
- If supply pressure to this product is interrupted while the power is still on, the internal solenoid valve will continue to operate and a humming noise may be generated. Since the life of the product may be shortened, shut off the power supply also when supply pressure is shut off.
- The setting side pressure cannot be completely released from this product in the range below 0.005 MPa (or -1.3 kPa for Vacuum models). In cases where the pressure needs to be reduced completely to 0 MPa, install a 3 port valve, etc. on the setting side to discharge the residual pressure.
- This product is adjusted for each specification at the time of shipment from the factory. Avoid careless disassembly or removal of parts, as this can lead to malfunction.
- The optional cable connector is a 4-wire type. When the monitor output (analog output or switch output) is not being used, keep it from touching the other wires as this can cause malfunction.
- When connecting the cable to this product, turn the lock ring of the cable. If a portion other than the lock ring of the cable is turned, it may damage the connector on the body. Turn the lock ring by hand without using a tool.
- The right angle cable does not rotate and is limited to only one entry direction. If the right angle cable is rotated forcibly, the cable may be broken or damaged, or may damage the connector on the body.
- Take the following steps to avoid malfunction due to noise.
 - Remove power supply noise during operation by installing a line filter, etc. in the AC power line.
 - For avoiding the influence of noise or static electricity, install this product and its wiring as far as possible from strong electric fields such as those of motors and power lines, etc.
 - Be sure to implement protective measures against load surge for induction loads (solenoid valves, relays, etc.).
- Due to the large volume of the output side, a loud exhaust noise will be produced when being used for the purpose of a relief function. Therefore, install a silencer (SMC AN20 or AN40 series) on the exhaust port (EXH port). The port sizes are Rc 1/8, Rc 1/4 and Rc 1/2.
- Specifications on pages 905 and 936 is in case of static environment. Pressure may fluctuate when air is consumed at the output side.

Handling

⚠ Caution

- For details on the handling of this product, refer to the operation manual which is included with the product.
- This product does not have a shut-off valve function. If air pressure is supplied without electric power being applied, output pressure may increase to the pressure equivalent of the supply pressure. Operate the system to shut off the supply pressure when not operating the product.
- The solenoid valves built into this product are consumables. Perform periodic maintenance in environments where the solenoid valves are operated at a high frequency. The parts can be replaced with a solenoid valve assembly. Please contact SMC for the part number.

Design and Selection

⚠ Caution

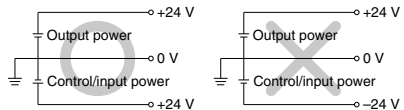
- Use the following UL approved products for DC power supply combinations.

- Limited voltage current circuit in accordance with UL 508. A circuit in which power is supplied by the secondary coil of a transformer that meets the following conditions.
 - Maximum voltage (with no load): 30 Vrms (42.4 V peak) or less
 - Maximum current:
 - 8 A or less (including when short circuited)
 - limited by circuit protector (such as fuse) with the following ratings.

No load voltage (V peak)	Max. current rating
0 to 20 [V]	5.0
Over 20 and 30 or less [V]	100 Peak voltage

- A circuit (class 2 circuit) with maximum 30 Vrms (42.4 V peak) or less, and a power supply consisting of a class 2 power supply unit conforming to UL1310, or a class 2 transformer conforming to UL1585.

- Operate these products only within the specified voltage. Using voltages beyond the specified levels could cause faults or malfunctions.
- Use 0 V as the baseline for the power supplied to the unit for output, control and input.



- Each product needs to be powered by one power supply unit.

The wiring of this product has the same common between the GND for power and the signals; there is a possibility that a wrong current occurs and prevents a proper operation if one power supply unit controls multiple electro-pneumatic regulators.

- Consult SMC for the usage when the downstream side is released to atmosphere.

This product is a pressure controller. The downstream side being released to atmosphere makes the inlet valve full open, allowing a large amount of atmosphere flow into the body. Consult SMC for the appropriate usage when you use the product under such condition since the product may not meet the specification or the life of the product may be shortened.

ARJ

AR425
to 935

ARX

AMR

ARM

ARP

IR□-A

IR

IRV

IVX

SRH

SRP

SRF

ITV

IC

ITVH

ITVX

PVQ

VY1

VBA

VBAT

AP100



ITV0000/1000/2000/3000 Series Specific Product Precautions 4

Be sure to read this before handling the products. Refer to back page 50 for Safety Instructions and pages 387 to 391 for Common Precautions.

ITV1000/2000/3000/209 Series Precautions

Wiring

Caution

Connect the cable to the connector on the body with the wiring arranged as shown below. Proceed carefully, as incorrect wiring can cause damage. Further, use DC power with sufficient capacity and a low ripple.

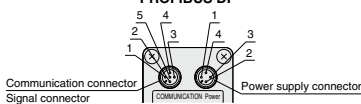
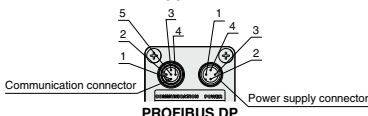
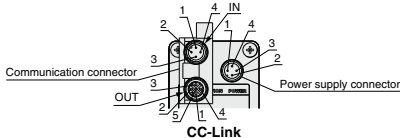


Current Signal Type Voltage Signal Type

1	Brown	Power supply
2	White	Input signal
3	Blue	GND (COMMON)
4	Black	Monitor output

Preset Input Type

1	Brown	Power supply
2	White	Input signal 1
3	Blue	GND (COMMON)
4	Black	Input signal 2



DeviceNet™, RS-232C, 16 points preset

Pin No.	IN/OUT communication connector				Signal connector
	CC-Link	DeviceNet™	PROFIBUS DP	RS-232C	
1	SLD [-]	DRAIN [-]	No connection	No connection	Input signal 1 [Brown]
2	DB [White]	V+ [Red]	RxD/TxD [Green]	TxD [White]	Input signal 2 [White]
3	DG [Yellow]	V- [Black]	RxD [Blue]	RxD [Blue]	Input signal 3 [Blue]
4	DA [Blue]	CAN_H [White]	RxD/TxD-P [Red]	GND [Black]	Input signal 4 [Black]
5	No connection	CAN_L [Blue]	No connection	No connection	Common [Gray]

Pin No.	Power supply connector				
	CC-Link	DeviceNet™	PROFIBUS DP	RS-232C	16 points preset
1 [Brown]	Vcc	Vcc	Vcc	Vcc	Vcc
2 [White]	FG	Can not connect	FG	No connection	No connection
3 [Blue]	GND	GND	GND	GND	GND
4 [Black]	No connection	Can not connect	No connection	FG	Monitor output

Note 1) The indicated wire colors are when a cable connector made by SMC is used.

Note 2) The cable is also available in a right angle type. (Communication cable: straight type only)

A right angle type connector is attached facing left (towards the SUP port). On communication models, the connector faces backwards (towards the EXH port). Do not attempt to rotate, as the connector does not turn.

Note 3) Perform the wiring so that no electric potential difference occurs between GND of the power supply and GND of the communication section. If any electric potential difference occurs, this may cause the internal parts to burn out.

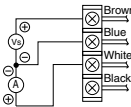
■ **Trademark Information**
DeviceNet™ is a trademark of ODVA.

Knock-down connectors * Order separately.

Part number	CC-Link compatibility		DeviceNet™ compatibility		PROFIBUS DP compatibility		
	Plug	Socket	Plug	Socket	Terminal Plug	Plug	Socket
PCA-1557617	PCA-1557620	PCA-1557659	PCA-1557662	PCA-1557675	PCA-1557701	PCA-1557714	PCA-1557727

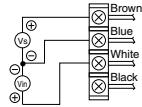
Wiring diagram

Current signal type



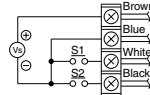
Vs : Power supply 24 VDC
12 to 15 VDC
A : Input signal 4 to 20 mA DC
0 to 20 mA DC

Voltage signal type



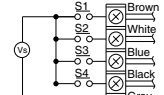
Vs : Power supply 24 VDC
12 to 15 VDC
Vin : Input signal 0 to 5 VDC
0 to 10 VDC

4 points preset input type



Vs : Power supply 24 VDC
12 to 15 VDC
(Negative common)

16 points preset input type



Vs : Power supply 24 VDC (No polarity)

One of the preset pressures P1 through P4 is selected by the ON/OFF combination of S1 and S2.

	S1	S2	S3	S4	P01	P02	P03	P04	P05	P14	P15	P16
ON	OFF	ON	OFF	ON	OFF	ON	OFF	ON	OFF	ON	OFF	ON
OFF	OFF	OFF	OFF	OFF	OFF	OFF	OFF	OFF	OFF	ON	ON	ON
ON	OFF	OFF	OFF	OFF	OFF	OFF	OFF	OFF	OFF	ON	ON	ON
OFF	OFF	OFF	OFF	OFF	OFF	OFF	OFF	OFF	OFF	ON	ON	ON

* For safety reasons, it is recommended that one of the preset pressures be set to 0 MPa.

* Preset pressures are set based on the minimum unit for output display.

MPa	kgf/cm ²	bar	psi	kPa
0.001	0.01	0.01	0.1	1

* Note that this is 1 psi for 130 psi types.

10 bit digital input type

Wire color	Signal name
Pink-Black 2	Power supply (24 VDC)
Green-Black 2	Power supply (GND)
Blue	Signal Common (No Polarity)
Blue-Black 2	MSB 10 bit
Gray-Black 1	9 bit
Orange-Black 1	8 bit
Green-Black 1	7 bit
Pink-Black 1	6 bit
Blue-Black 1	5 bit
Gray	4 bit
Orange	3 bit
Green	2 bit
Pink	LSB 1 bit

Note) The wire color is shown for when an option cable is used.



ITV0000/1000/2000/3000 Series Specific Product Precautions 5

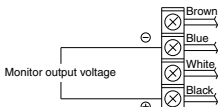
Be sure to read this before handling the products. Refer to back page 50 for Safety Instructions and pages 387 to 391 for Common Precautions.

ITV1000/2000/3000/209 Series Precautions

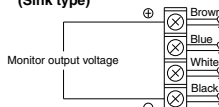
Wiring

Monitor output wiring diagram

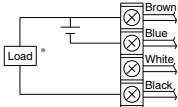
Analog output: Voltage type



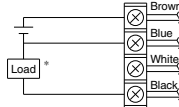
Analog output: Current type (Sink type)



Switch output: NPN type



Switch output: PNP type



* When 80 mA DC or more is applied, detecting device for overcurrent starts activating and then emits an error signal. (Error number "5")

Set Pressure Range

The set pressure range, by unit of standard measured pressure, is shown in the table below.

Set pressure range, by unit of standard measured pressure

Unit	Set pressure range			
	ITV□01□	ITV□03□	ITV□05□	ITV209□
MPa	0.005 to 0.1	0.005 to 0.5	0.005 to 0.9	—
kgf/cm ²	0.05 to 1	0.05 to 5	0.05 to 9	—
bar	0.05 to 1	0.05 to 5	0.05 to 9	—
psi	0.7 to 15	0.7 to 70	0.7 to 130	—
kPa	5 to 100	5 to 500	5 to 900	-1.3 to -80

CE Marking

• ITV0000 Series

Model	Ferrite core necessity	Recommended power supply cable
ITV0000-□□-Q	Unnecessary	M8-4DSX3MG4 (Straight type) P398000-501-2 (Right angle type)

Note) Recommended power supply cable length is 3 m. (P398000-501-2 is 2 m.) If any other length is desired, please consult with SMC.

• ITV1000/2000/3000 Series

Model	Ferrite core necessity	Recommended power supply cable
ITV□□-□□	—	P398020-500-3 (Straight type) P398020-501-3 (Right angle type)
ITV□□-52□ ITV□□-53□	Power	P398020-500-3 (Straight type) P398020-501-3 (Right angle type)
	Signal	P398020-502-3 (Straight type) P398020-503-3 (Right angle type)
ITV□□-60□	—	INI-398-0-59 (Straight type)
ITV□□-CC□ Note 2) Note 3)	Power	P398020-500-3 (Straight type) P398020-501-3 (Right angle type)
	Communication	PCA-1567720 (Socket type) PCA-1567717 (Plug type)
ITV□□-DE□ Note 2) Note 4)	Unnecessary	Power: P398020-500-3 (Straight type) P398020-501-3 (Right angle type)
	Communication	PCA-1557633 (Socket type) PCA-1557646 (Plug type)
	Power	P398020-500-3 (Straight type) P398020-501-3 (Right angle type)
	Communication	PCA-1557688 (Socket type) PCA-1557691 (Plug type)
ITV□□-PR□ Note 2) Note 4)	Power	P398020-500-3 (Straight type) P398020-501-3 (Right angle type)
	Communication	P398020-502-3 (Straight type) P398020-503-3 (Right angle type)
ITV□□-RC□	Communication	P398020-502-3 (Straight type) P398020-503-3 (Right angle type)

Note 1) Recommended power supply cable length is 3 m. If any other length is desired, please consult with SMC.

Note 2) Even when the "with cable connector" type is selected, the communication connector is not included. Refer to the catalog [M8/M12 Connector] CAT.ES100-73 for the details of the communication cable.

Note 3) For CC-Link compatible products, a dedicated Bus adapter is included with the product.

Note 4) For DeviceNet™ compatible products, and PROFIBUS DP compatible products, a T-branch connector is not included with the product.

ARJ

AR425
to 935

ARX

AMR

ARM

ARP

IR□-A

IR

IRV

VEX

SRH

SRP

SRF

ITV

IC

ITVH

ITVX

PVQ

VY1

VBA

VBAT

AP100



ITV0000/1000/2000/3000 Series

Specific Product Precautions 6

Be sure to read this before handling the products. Refer to back page 50 for Safety Instructions and pages 387 to 391 for Common Precautions.

ITV009□/209□ Series Precautions

Handling

Caution

1. Connect the vacuum pump to the port, which is labeled "VAC".
2. Pressure adjustment changes from "atmospheric pressure to vacuum pressure" when the input signal is increased, and from "vacuum pressure to atmospheric pressure" when the input signal is decreased.
3. When adjusting the vacuum pressure, be careful not to block the atmospheric pressure inlet port labeled "ATM".
4. Since this product is designed exclusively for use with negative pressure, be careful not to apply positive pressure in error.
5. In cases where the vacuum pump being used has a relatively small capacity, or the piping has a small inside diameter, etc., large variations in the set pressure (the range of pressure variation when changing from no flow to flow state) may appear. In this situation, the vacuum pump or the piping, etc. should be changed. In cases where it is not practical to change the vacuum pump, install a capacity tank (volume depending on the operating conditions) on the VAC side.
6. The vacuum pressure response time after a change in the input signal is influenced by the internal volume on the setting side (including piping). Since the capacity of the vacuum pump also influences the response time, give careful consideration to these points before operation.
7. If the electric power is shut off when in a control state, the pressure on the setting side will go into a holding condition. However, this setting side pressure will be held only temporarily and is not guaranteed. In addition, when atmospheric pressure is desired, shut off the power after reducing the set pressure, and then introduce atmospheric pressure by using a vacuum release valve, etc.
8. If the power for this product is cut off by a power failure, etc. when it is in a controlled state, the setting side pressure will be held temporarily. Further, if operated without sealing the setting side so that atmospheric air is sucked in, handle with care as air will continue to be sucked in.
9. If the VAC side pressure to this product is interrupted while the power is still on, the internal solenoid valve will continue to operate and may cause a humming noise. Since this may shorten the life of the product, be sure to shut off the power when the VAC side pressure is shut off.
10. The setting side pressure cannot be completely released from this product in the range below -1.3 kPa. In cases where the pressure needs to be reduced completely to 0 kPa, install a 3 port valve, etc. on the setting side to discharge the residual pressure.
11. This product is adjusted for each specification at the factory before shipment. Avoid careless disassembly or removal of parts, as this can cause failure.
12. The optional cable connector is a 4-wire type. When the monitor output (analog output, switch output) is not being used, keep it from touching the other wires, as this can cause malfunction.
13. Use caution that the right angle cable does not rotate and is limited to only one entry direction.
14. Take the following steps to avoid malfunction due to noise.
 - 1) Eliminate power supply noise during operation by installing a line filter, etc. in the AC power line.
 - 2) For avoiding the influence of noise or static electricity, install this product and its wiring as far as possible from strong electric fields such as those of motors and power lines, etc.
 - 3) Make sure to take protective measures against load surge for an induction load (solenoid valves, relays, etc.).
15. Refer to the operation manual included with the product for details on its handling.